

FaTrak **CE Parts Manual**



HUSTLER®

•••••

Hustler Turf Equipment

••••

P.O. Box 7000

•••

Hesston, Kansas

•

67062-2097

Table of Contents

Chapter 1

General Information	1-1
-------------------------------	-----

Chapter 2 Contents

Tractor Frame Rivet Nut Installation	2-2
Idler Plate Rivet Nut Installation	2-3
Engine Guard Rivet Nut Installation	2-4
Footrest Assembly	2-5

Chapter 3 Contents

Battery Installation.	3-2
Deck Lift Assembly	3-4
Steering and Brake Assembly.	3-6
Hydro Transmission Installation	3-8
Towlink Installation	3-10

Chapter 4 Contents

Honda 18 HP Engine Installation	4-2
Honda 16 HP Engine Installation	4-4
Fuel System Installation	4-6
Instrument Panel Assembly/Installation	4-8
Honda 18 HP Electrical Schematic (784868)	4-10
Honda 16 HP Electrical Schematic (786178).	4-12

Chapter 5 Contents

Front Wheel Assembly	5-2
Front Wheel Breakdown—768044	5-3
Drive Wheel Assembly—783134	5-4
Anti-Rollover Wheel Assembly	5-5

Chapter 6 Contents

44" Deck Assembly	6-2
44" Deck Pulley Assembly	6-4
Blade Spindle Assembly Breakdown	6-7

Chapter 7 Contents

Deck Installation	7-2
Deck Belt Routing and Tensioning	7-3
Seat Installation.	7-4

Chapter 8 Contents

Tractor Decals	8-2
Deck Decals	8-4
Index.....	i-1

Chapter 1

General Information

This Manual covers FasTrak 18/44 model 926519CE, & FasTrak 16/44 model 927527CE.

Frequently Ordered Parts

PART NO.	DESCRIPTION
784231	Pump Drive A-Section Belt
784322	44" Deck B- Section, Belt
785626	Fuel Filter
785600	Honda 18 & 20 HP Air Filter
785618	Honda 18 & 20 HP Air Filter Precleaner
785634	Honda 18 & 20 HP Engine Oil Filter
787226	Honda 16 HP Air Filter
787234	Honda 16 HP Engine Oil Filter

Service Literature

PART NO.	DESCRIPTION
785642	Honda 18 & 20 HP Engine Manual
787242	Honda 16 HP Engine Manual

Options

PART NO.	DESCRIPTION
365684	44" FasTrak Mulch Kit
785428	16" CW Gator Blade
793331	Armrest Kit (Michigan Seat)
784850	Armrest Kit (Milsco Seat)
367425	FasTrak Seat Spring Kit
367656	FasTrak Hour Meter Kit

Note: When ordering parts, you must use the part number as shown for each part, not the index number. Always give the model and serial number to your parts and service representative.

Note: Items sold in bulk such as seals and hoses are sold by the foot

Using this manual

Illustrations used were current at the time of printing, but subsequent production changes may cause your machine to vary slightly in detail. Excel Industries, Inc. reserves the right to redesign and change the machine as deemed necessary, without notification. If a change has been made to your machine which is not reflected in this parts manual, see your Hustler dealer for current information and parts.

Hardware Description Codes & Abbreviations

The following codes are used throughout this parts manual. Refer to this list when ordering parts.

ABBREVIATION	DESCRIPTION
CB	Carriage Bolt
CE	Clevis Pin
CP	Cotter Pin
CS	Cap Screw

ABBREVIATION	DESCRIPTION
CW	Cup Washer
FDRW	Fender Washer
FW	Flat Washer
HX	Hex Head
LW	Lock Washer
MB	Machine Bushing
MS	Machine Screw
NT	Nut
SC	Self Tapping Cap Screw
SH	Socket Head
SB	Shoulder Bolt
SS	Set Screw
OD	Outside Diameter
ID	Inside Diameter

Standard Torques

The following chart lists the standard torque values for the threaded fasteners found in this manual. Torque all cap screws, nuts and set screws to these values unless a different torque is shown in the Notes section next to the fastener

SIZE	FT-LBS	NM	SIZE	FT-LBS	NM
.250	8.2	11.1	M3	1	1.3
.312	17	23	M4	2.2	3
.375	30	40	M5	4.5	6.1
.438	48	65	M6	7.7	10.4
.500	73	99	M8	18.5	25
.562	105	143	M10	37	50
.625	145	200	M12	64	87
.750	260	350	M16	160	215
.875	420	565	M20	320	435
1.00	625	850	M24	555	750

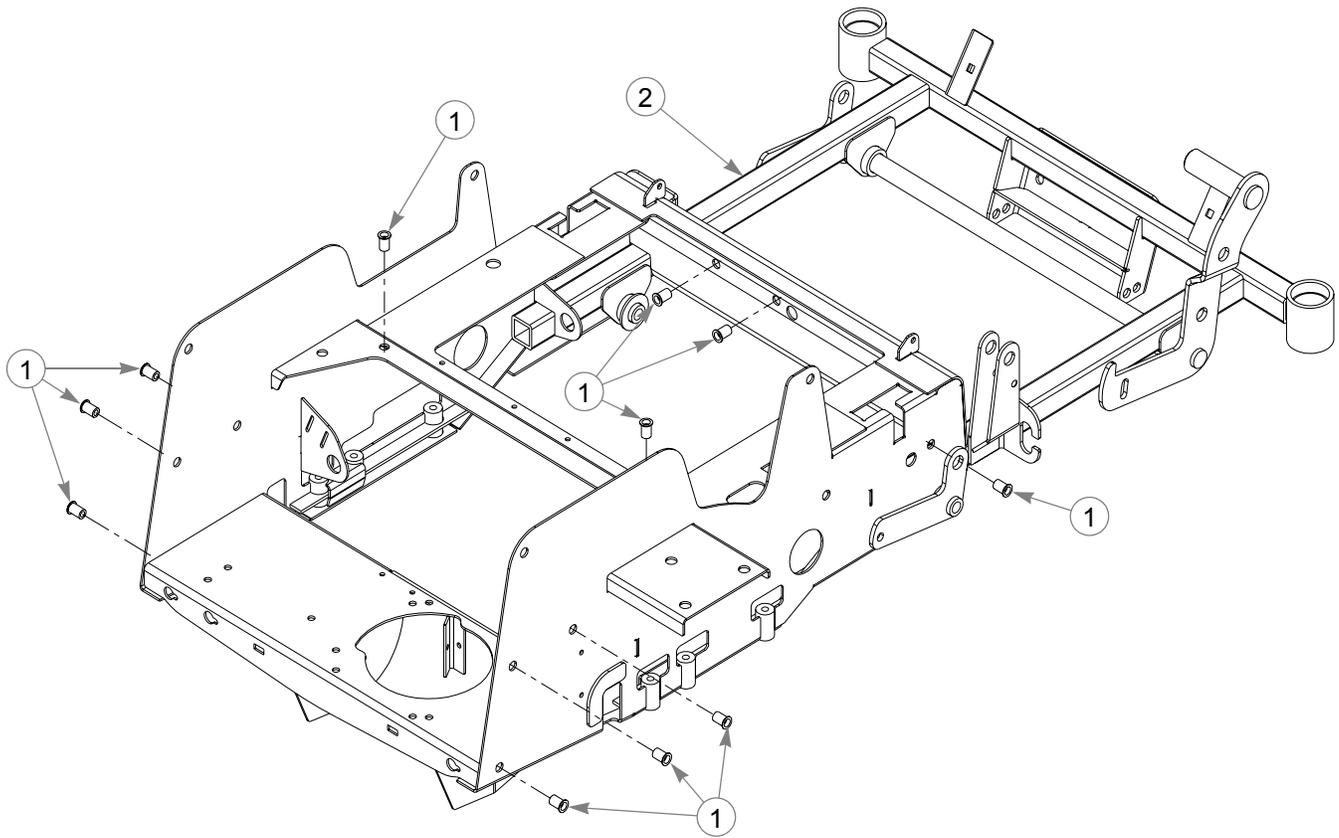
NOTE:

**Loctite® 592 to be used on all pipe threads.
Lubricate all grease zerks.**

Chapter 2 Contents

Tractor Frame Rivet Nut Installation	2-2
Idler Plate Rivet Nut Installation.	2-3
Engine Guard Rivet Nut Installation.	2-4
Footrest Assembly	2-5

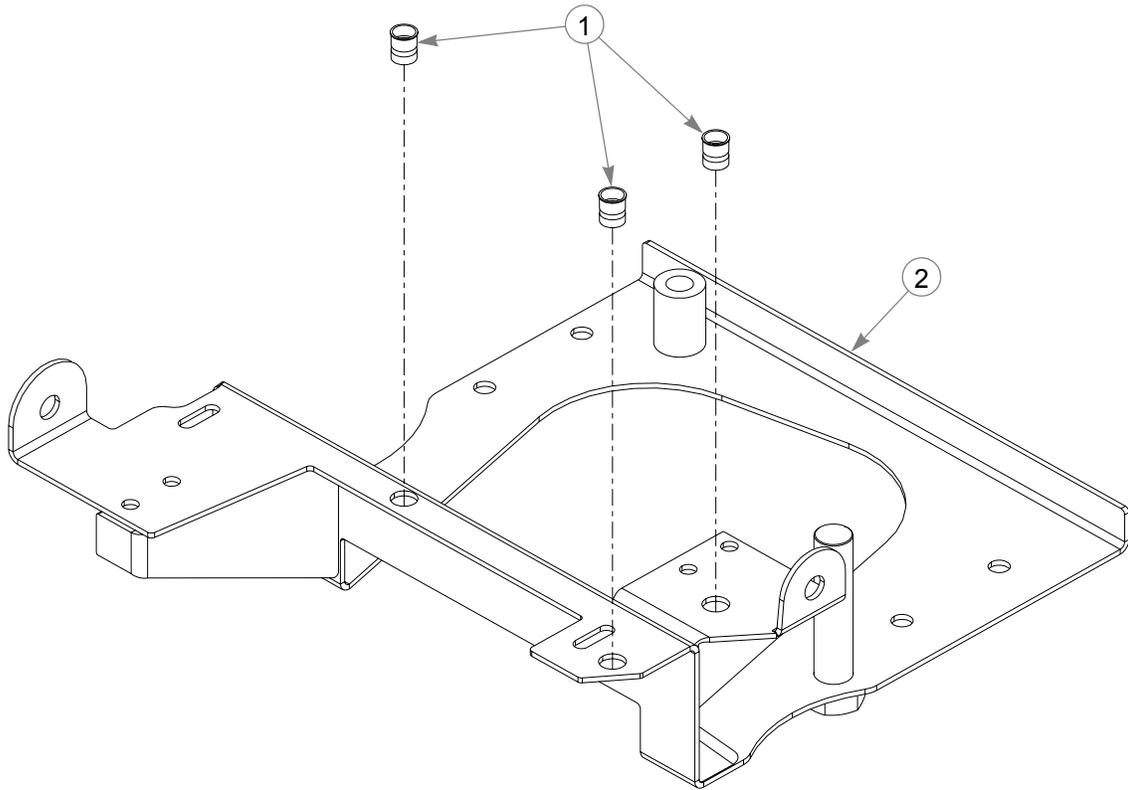
Tractor Frame Rivet Nut Installation



INDEX NO.	SERVICE PART NO.	MFG. PART NO.	QTY.	DESCRIPTION
1	N/A	808485	11	RIVET NUT, 5/16-18 THREAD
2	546044	365544	1	44" FASTRAK FRAME

NOTES:

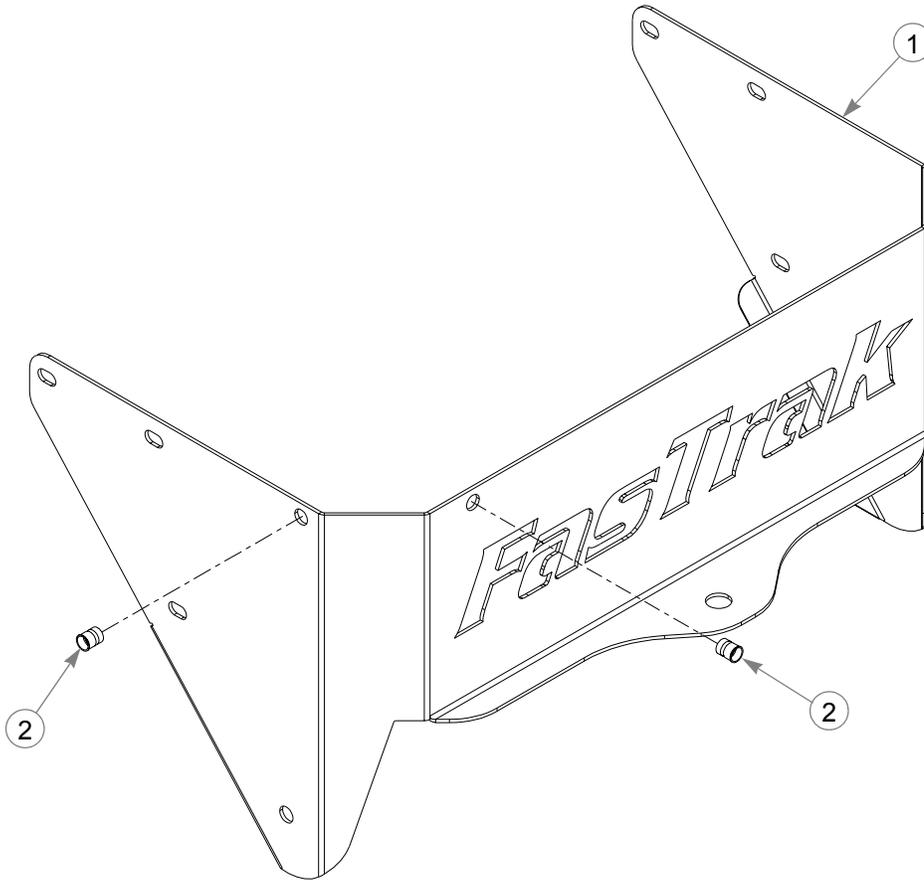
Idler Plate Rivet Nut Installation



INDEX NO.	SERVICE PART NO.	MFG. PART NO.	QTY.	DESCRIPTION
1	N/A	808485	3	RIVET NUT, 5/16-18 THREAD
2	551548	363952	1	IDLER PLATE

NOTES:

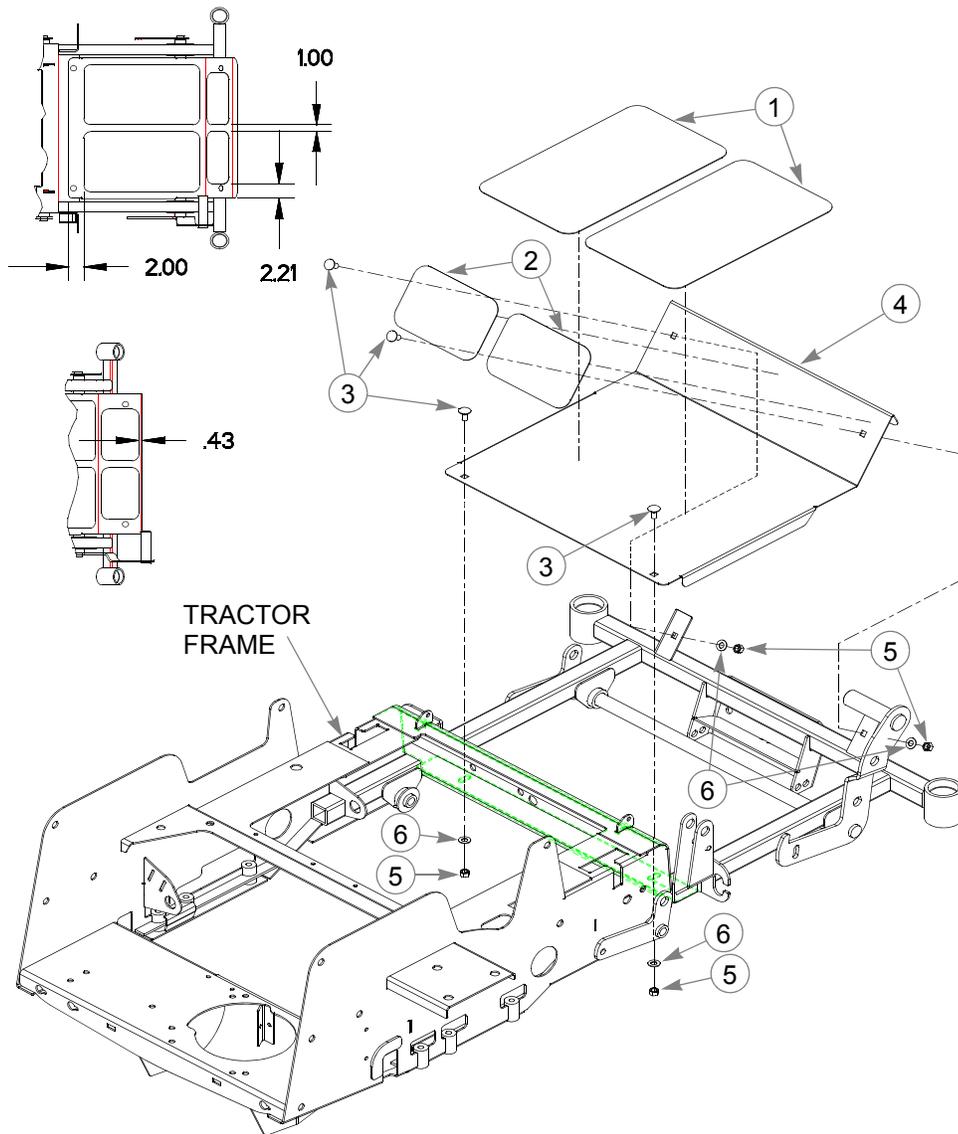
Engine Guard Rivet Nut Installation



INDEX NO.	SERVICE PART NO.	MFG. PART NO.	QTY.	DESCRIPTION
1	551547	364885	1	ENGINE GUARD
2	N/A	808485	2	RIVET NUT, 5/16-18 THREAD

NOTES:

Footrest Assembly



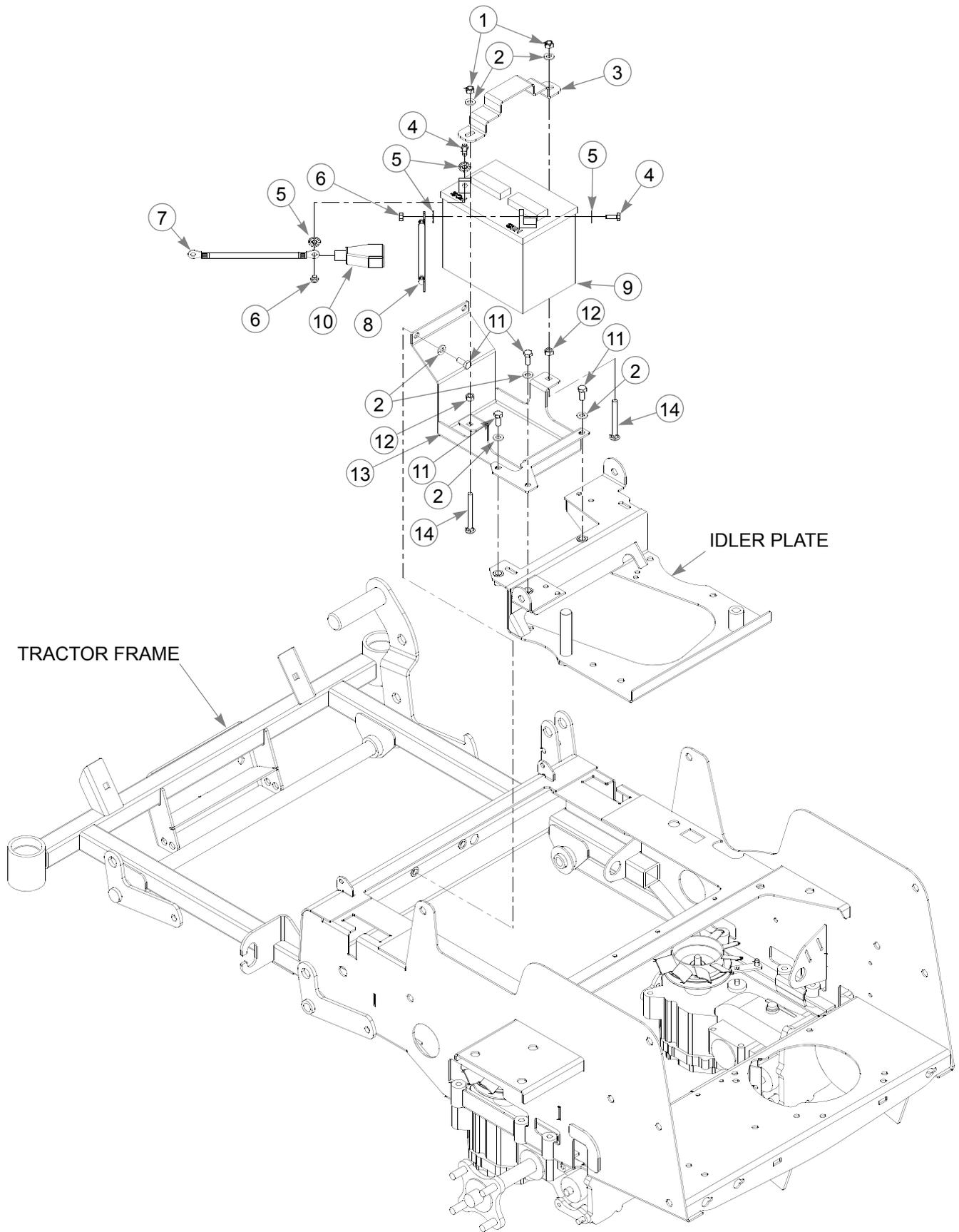
INDEX NO.	SERVICE PART NO.	MFG. PART NO.	QTY.	DESCRIPTION
1	785493	785493	2	LOWER STEP TREAD
2	785485	785485	2	UPPER STEP TREAD
3	011320	011320	4	CB .375-16 X .750 STD ZN
4	355651	355651	1	FLOOR PLATE
5	054502	054502	4	NT .375-16 HX GRD 5 ZNYC
6	767954	767954	4	FW .406 X .812 X .060 SAE HD ZN

NOTES:

Chapter 3 Contents

Battery Installation	3-2
Deck Lift Assembly	3-4
Steering and Brake Assembly	3-6
Hydro Transmission Installation.	3-8
Towlink Installation.	3-10

Battery Installation



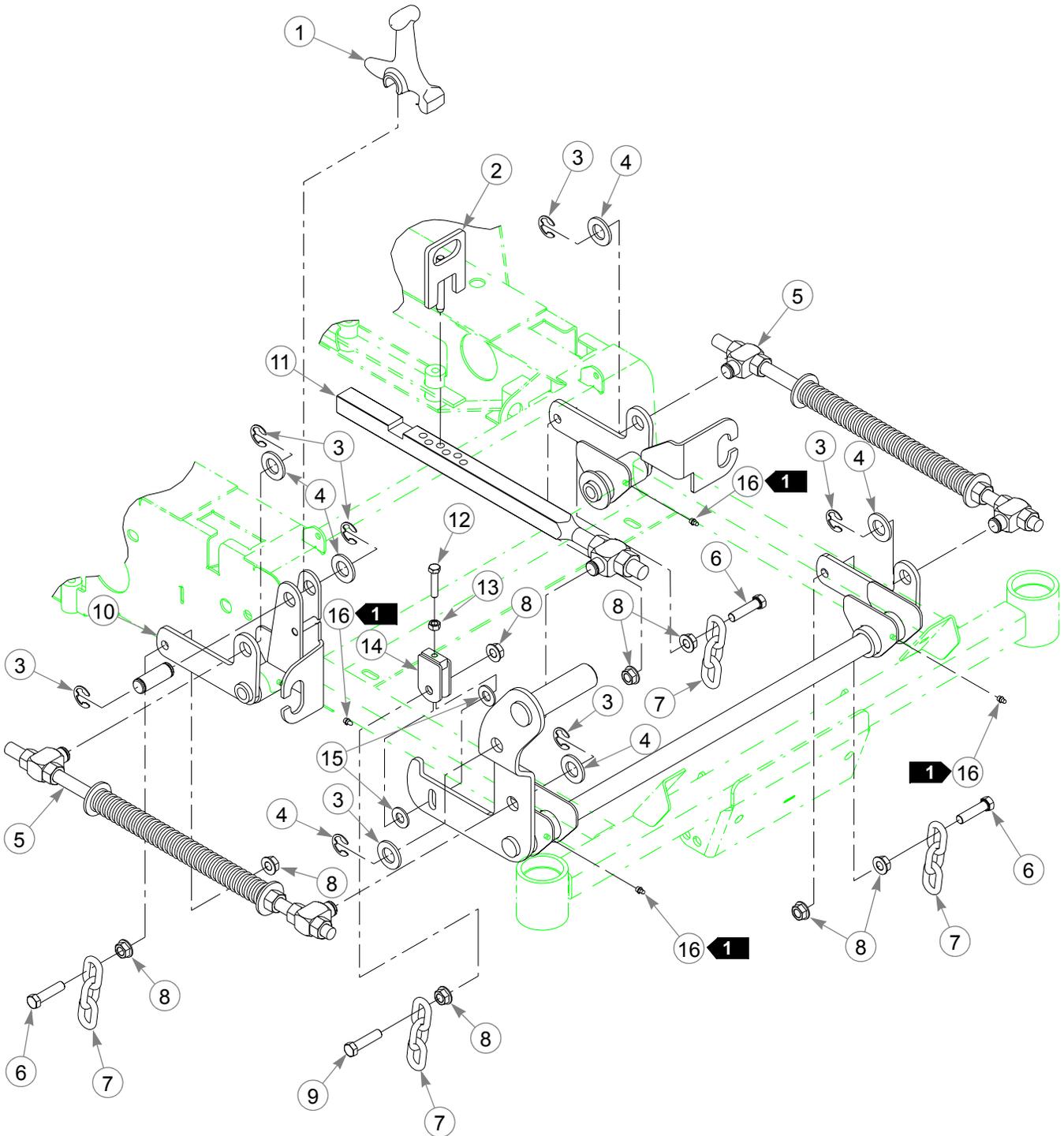
Battery Installation

INDEX NO.	SERVICE PART NO.	MFG. PART NO.	QTY.	DESCRIPTION
1	058776	058776	2	NT .312-18 HX NL ZNYC
2	768523	768523	7	FW .343 X .687 X .051/.080 HD ZNYC
3	348417	348417	1	BATTERY CLAMP STRAP
4	055939	055939	2	CS .250-20 X .750 HX G5 ZNYC
5	029868	029868	4	LW .250 INT-EXT TOOTH ZNYC
6	024927	024927	2	NT .250-20 HX GR.5 ZNYC
7	785063	785063	1	POSITIVE BATTERY CABLE
8	785071	785071	1	NEGATIVE BATTERY CABLE
9	740696	740696	1	BATTERY (VU1LH-8)
10	771428	771428	1	BATTERY CABLE BOOT-RED
11	034280	034280	5	CS .312-18 X .750 HX G5 ZNYC
12	034272	034272	2	NT .312-18 HX G5 ZNYC
13	364174	364174	1	BATTERY SUPPORT
14	779850	779850	2	CB .312-18 X 3.00 FUL ZN

NOTES:

1. Battery is not installed on CE units nor in non CE units for sales outside the U.S.

Deck Lift Assembly



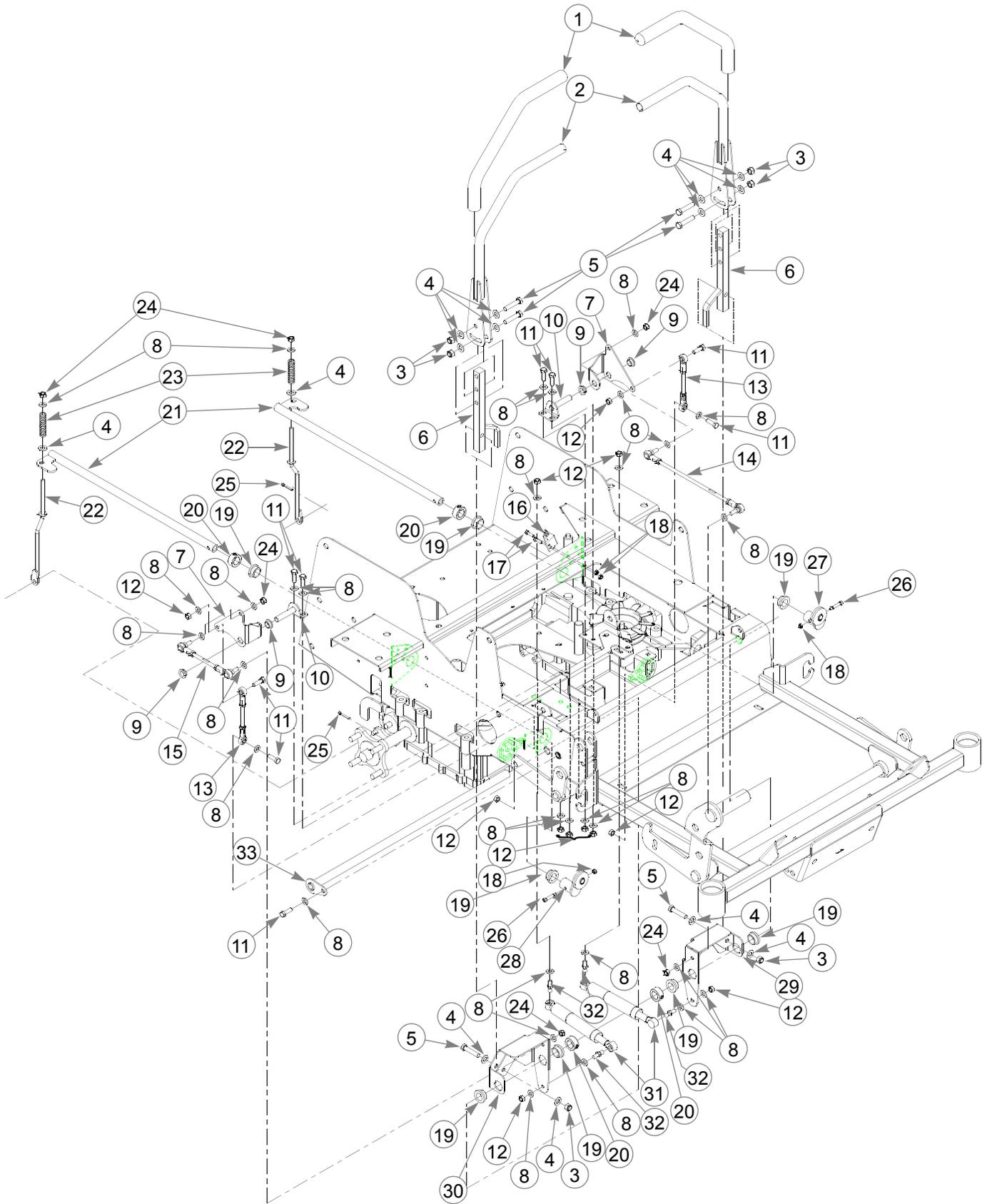
Deck Lift Assembly

INDEX NO.	SERVICE PART NO.	MFG. PART NO.	QTY.	DESCRIPTION
1	348318	348318	1	STOP HANDLE
2	348284	348284	1	HEIGHT ADJUSTOR STOP
3	781294	781294	7	CLIP E, 1.00 X .625 X .050
4	784686	784686	6	FW .812 X 1.469 X .134 THK ZNYC
5	782995	018846	2	DECK LIFT SPRING
6	055749	055749	3	CS .437-14 X 1.750 HX G5 ZNYC
7	360131	360131	4	DECK LIFT CHAIN
8	704643	704643	8	NT .437-14 HX FLG ZN
9	781831	781831	1	CS.437-14 X 1.750 FULTH G5 ZNYC
10	781229	781229	1	CE .750 X 2.25 X 1.75 HEADLESS
11	784488	784488	1	DECK LIFT INDICATOR
12	756270	756270	1	CS .312-18 X 1.50 FLTHR GR5 ZNYC
13	034272	034272	1	NT .312-18 HX G5 ZNYC
14	348458	348458	1	DECK LEVELER YOKE
15	767962	767962	2	FW .531 X 1.063 X .090 SAE HD ZN
16	015495	015495	4	GREASE FITTING STRAIGHT

NOTES:

1. Apply grease to zerks (see owners manual).

Steering and Brake Assembly



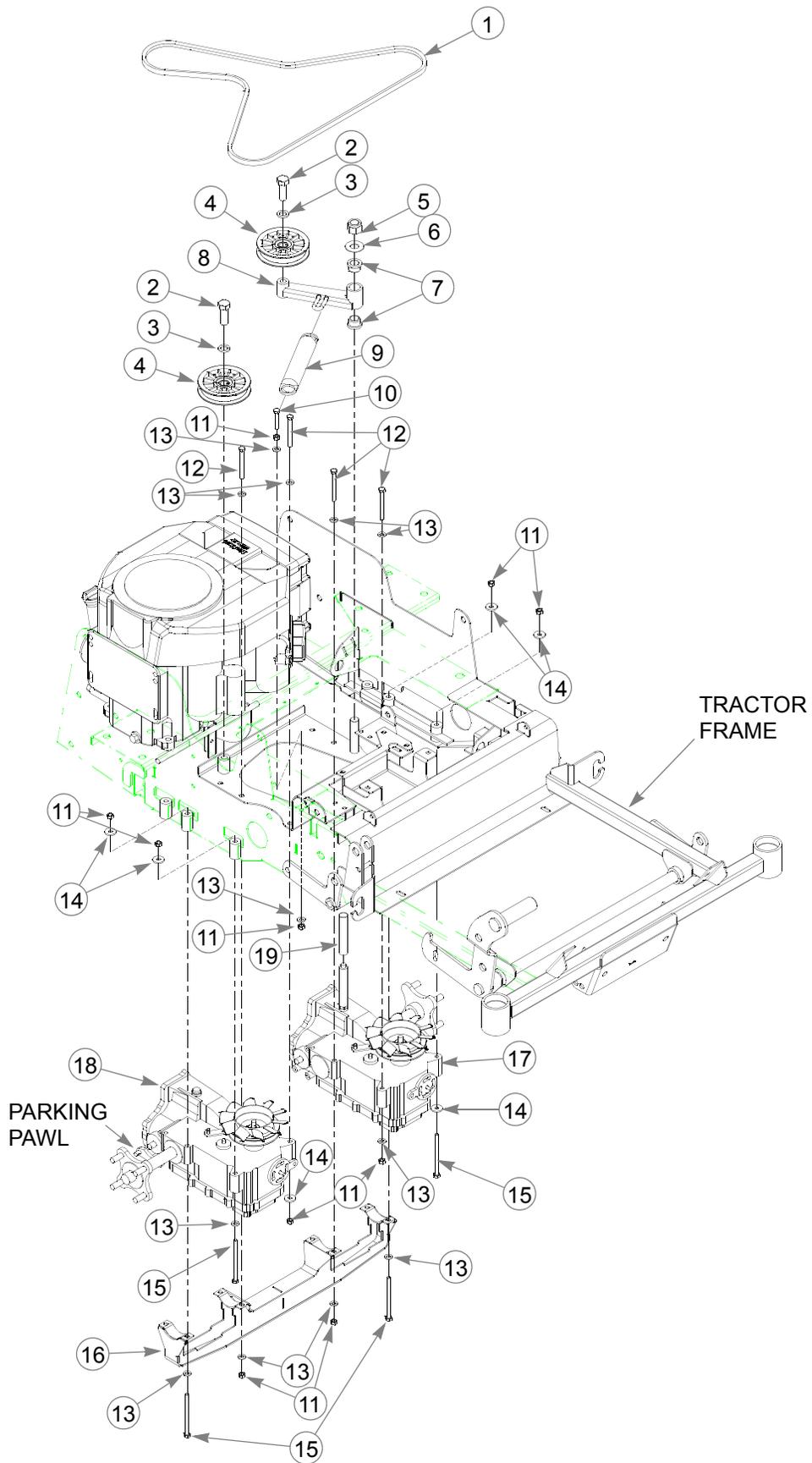
Steering and Brake Assembly

INDEX NO.	SERVICE PART NO.	MFG. PART NO.	QTY.	DESCRIPTION
	781260	N/A	2	STEERING BAR GRIP
3	360487	360487	2	STEERING BAR
	086660	086660	6	NT .375-16 HX LK NY
	767954	767954	14	FW .406 X .812 X .060 SAE HD ZN
	705178	705178	6	CS .375-16 X 1.750 HX G5 ZNYC
	363812	363812	2	STEER ARM SUPPORT
1	360677	360677	2	STEERCRAK LEVER
	768523	768523	31	FW .343 X .687 X .051/.080 HD ZNYC
	768259	N/A	4	INGUS BUSHING, #MFI-0810-05
	362251	362251	2	CRANK PIVOT
	036236	036236	9	CS .312-18 X 1.000 HX G5 ZNYC
	034272	034272	12	NT .312-18 HX G5 ZNYC
	784405	784405	2	FIXED ASSEMBLY PUMP ROD
	784355	784355	1	LH PUMP ROD ADJUSTER ASSEMBLY
	784371	784371	1	RH PUMP ROD ADJUSTER ASSEMBLY
	781211	781211	2	PUSH BUTTON SWITCH
	063198	063198	4	CS 10-24 X .75 HXFLK ZNYC
	059832	059832	6	NT #10-24 HX NL ZN
	770867	770867	8	PLASTIC BUSHING, .750 X 1.00 X .50
	784439	784439	4	LOCK COLLAR .750"
	359737	359737	2	BRAKE TUBE
	359745	359745	2	BRAKE LINK
	784421	784421	2	BRAKE TENSION SPRING
	023655	023655	6	NT .312-24 HX NL ZNYC
	017251	017251	2	CP .156D X 1.000 LG HML ZN
	785162	785162	2	SB .250 X 1.00 SH #10-24 ZNYC
2	787879	787879	1	LH ROLLER ARM
2	787887	787887	1	RH ROLLER ARM
	363176	363176	1	LEFT STEER ARM SUPPORT
	361550	361550	1	RIGHT STEER ARM SUPPORT
	783696	783696	2	CENTERING DAMPENER
	781922	781922	4	DAMPER BALL STUD
	361295	361295	1	PIVOT TUBE

NOTES:

1. Includes two (2) of 768259 (Ingus Bushing, #MFI-0810-05).
2. Includes 078386 FW and 784819 Retaining Ring.
3. Includes Item 1 (781260 Steering Bar Grip).

Hydro Transmission Installation



Hydro Transmission Installation

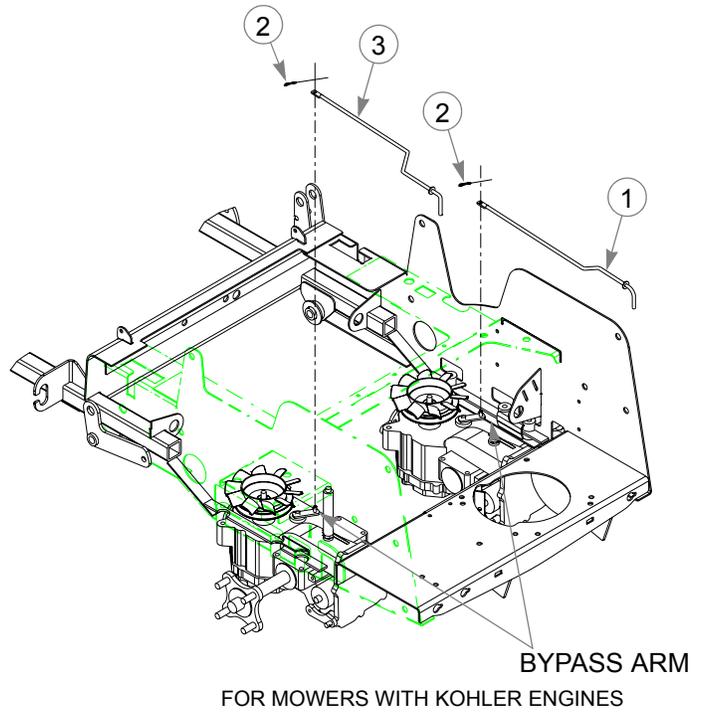
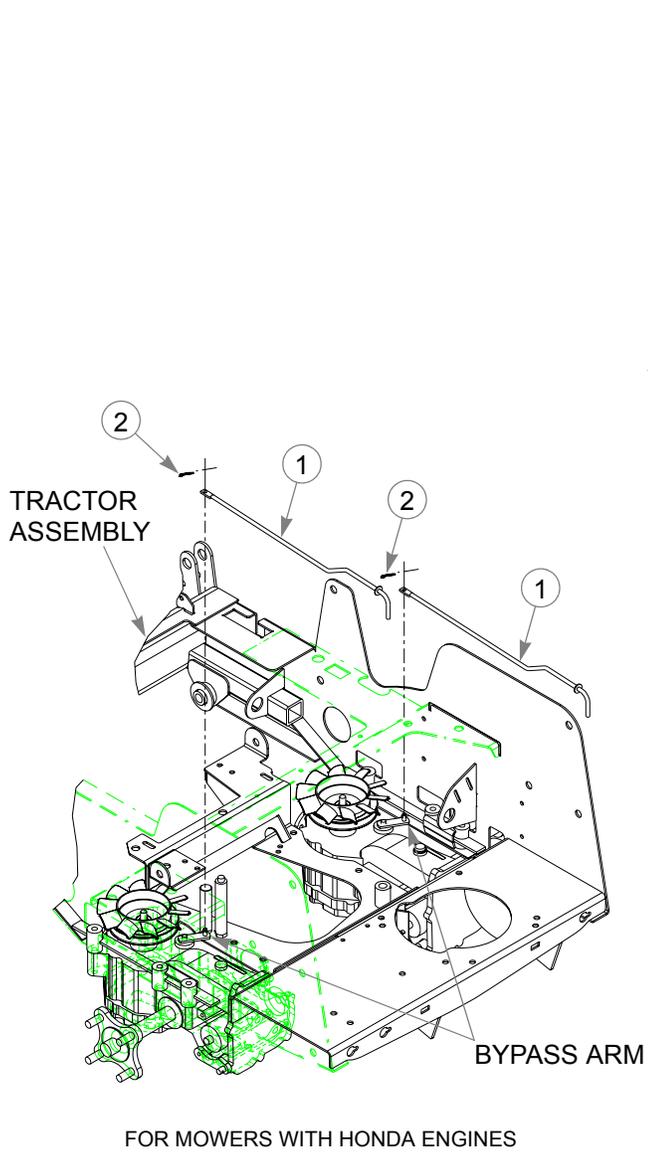
INDEX NO.	SERVICE PART NO.	MFG. PART NO.	QTY.	DESCRIPTION
1	784231	784231	1	A-SECTION PUMP BELT
2	025007	025007	2	CS .625-11 X 1.750 HX G5 ZNYC
3	028118	028118	2	FW .62 X 1.00 X .134 ZNYC
4	784827	784827	2	4.00"OD, 5/8"ID IDLER PULLEY
5	061101	061101	1	NT .750-10 HX NL ZN
6	025296	025296	1	FW .760 X 1.625 X .08 ZNYC
7	781153	781153	2	UHMW BUSHING
8	363788	363788	1	PUMP IDLER
9	781302	781302	1	IDLER SPRING
10	050161	050161	1	CS .312-18 X 1.750 HX G5 ZNYC
11	034272	034272	14	NT .312-18 HX G5 ZNYC
12	043067	043067	6	CS .312-18 X 3.00 HX G5 ZNYC
13	768523	768523	14	FW .343 X .687 X .051/.080 HD ZNYC
14	712927	712927	10	FW .344 X 1.00 X .12 HRD ZNYC
15	785113	785113	6	CS .312-18 X 4.250 HX G5 ZNYC
16	361212	361212	1	LOWER MOUNT SUPPORT
17	788067	788067	1	LEFT PUMP/MOTOR COMBO
18	788059	788059	1	RIGHT PUMP/MOTOR COMBO
19	786301	786301	1	IZT BREATHER SLEAVE

NOTES:

1. Service parts for Left/Right Pump/Motor Combo:

784306	RIGHT HAND PARKING PAWL
784314	LEFT HAND PARKING PAWL
785725	FAN
785717	PULLEY
785733	SEAL KIT

Towlink Installation



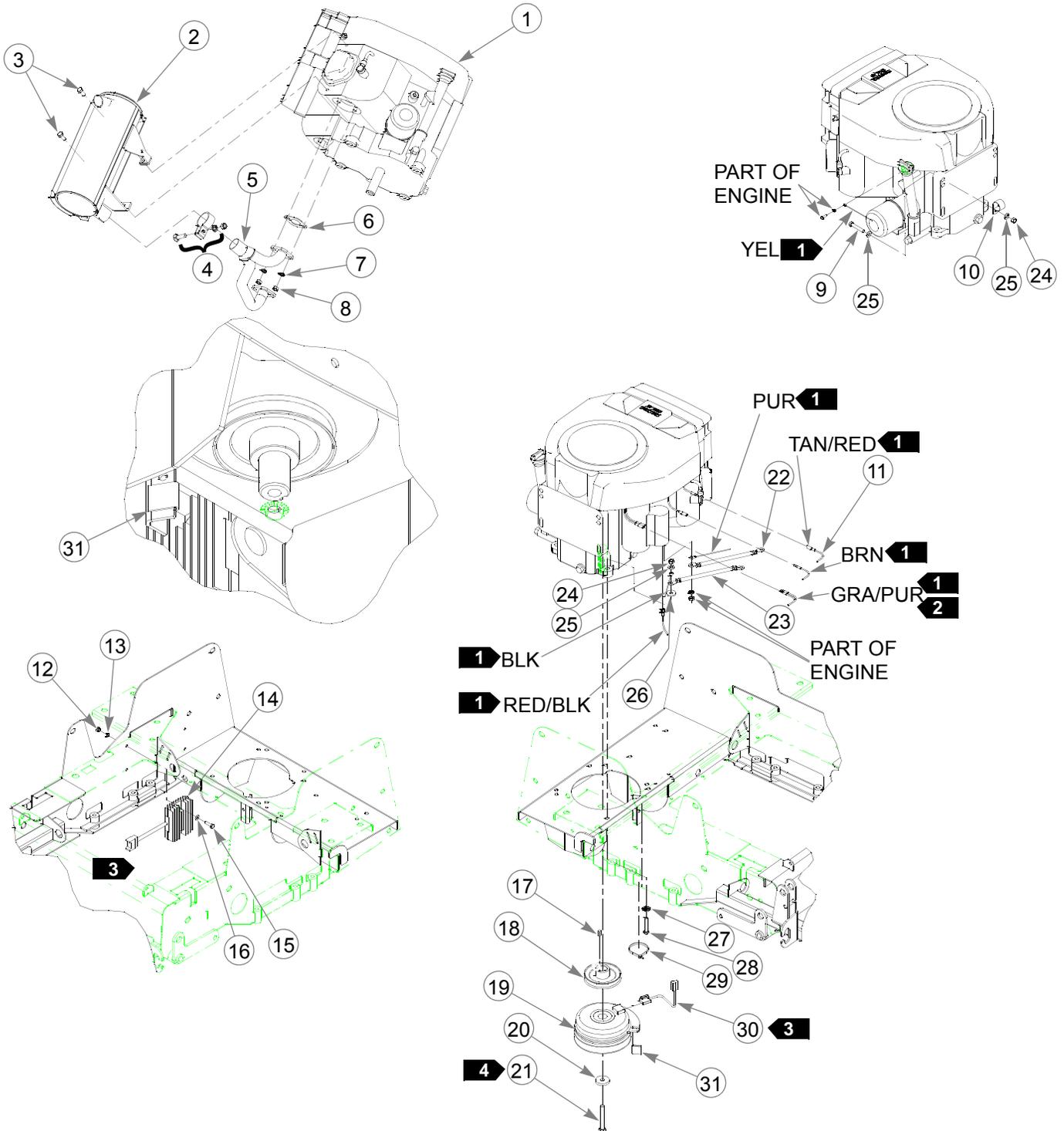
INDEX NO.	SERVICE PART NO.	MFG. PART NO.	QTY.	DESCRIPTION
1	786269	786269	2	TOW RELEASE LINK
2	066878	066878	2	CP .094 X .500 LG HML ZN
3	794651	794651	1	TOW LINK, LH FST KOH

NOTES:

Chapter 4 Contents

Honda 18 HP Engine Installation.	4-2
Honda 16 HP Engine Installation.	4-4
Fuel System Installation.	4-6
Instrument Panel Assembly/Installation.	4-8
Honda 18 HP Electrical Schematic (784868)	4-10
Honda 16 HP Electrical Schematic (786178)	4-12

Honda 18 HP Engine Installation



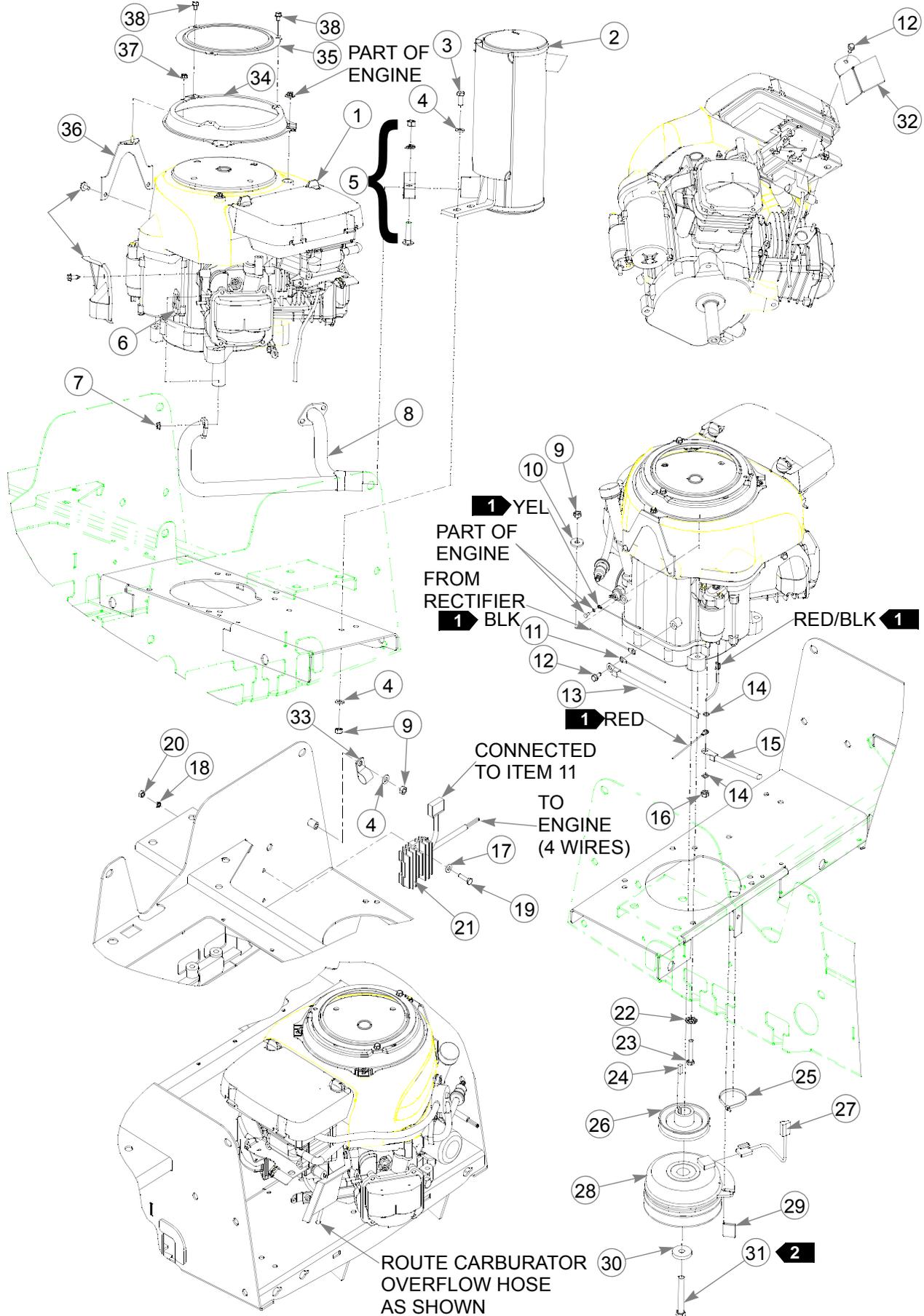
Honda 18 HP Engine Installation

INDEX NO.	SERVICE PART NO.	MFG. PART NO.	QTY.	DESCRIPTION
1	784629	784629	1	HONDA 20HP ENGINE
	784611	784611	1	HONDA 18HP ENGINE
2	784843	784843	1	18/20 HONDA MUFFLER
3	720177	720177	2	CS M 8-1.25 X 20 10.9 HX FL ZNYC
4	785378	785378	1	EXHAUST PIPE CLAMP
5	784959	784959	1	FASTRAK MUFFLER MANIFOLD
6	785543	N/A	2	HONDA (20) MUFFLER GASKET
7	017004	N/A	4	LW .312 MED SPRING ZNYC
8	782664	N/A	4	NT M8-1.25 HX STAINLESS STEEL
9	050161	050161	1	CS .312-18 X 1.75 HX G5 ZNYC
10	000398	000398	1	CLAMP
11	784868	784868	1	FASTRAK WIRE HARNESS
12	024927	024927	2	NT .250-20 HX GR 5 ZNYC
13	017038	017038	2	LW .250 MED SPRING ZNYC
14	785477	N/A	1	HONDA 20 AMP RECTIFIER
15	056077	056077	2	CS .250-20 X 1.00 HX G5 ZNYC
16	768515	768515	2	FW .250 X .560 X .04 SAE ZNYC
17	712372	712372	1	KEY 1/4 SQ X 0.66 LONG
18	786616	786616	1	PUMPDRIVE PULLEY
19	784835	784835	1	FASTRAK CLUTCH
20	763417	763417	1	FW .454 X 1.50 X .250
21	785048	785048	1	CS .437-20 X 3.00 HX G5 ZNYC
22	785063	N/A	1	POSITIVE BATTERY CABLE
23	785071	N/A	1	NEGATIVE BATTERY CABLE
24	034272	034272	5	NT .312-18 HX G5 ZNYC
25	768523	768523	3	FW .343 X .687 X .051/.080 HD ZNYC
26	712927	712927	4	FW .344 X 1.00 X .12 HRD ZNYC
27	029876	029876	4	LW .312 INT-EXT TOOTH ZNYC
28	052837	052837	4	CS .312-18 X 1.500 HX G5 ZNYC
29	000331	000331	1	SMALL/SHORT WIRE TIE
30	791251	N/A	1	CLUTCH WIRE HARNESS PIGTAIL
31	784918	784918	1	RUBBER BUMPER

NOTES:

1. Part of Item 11 (784868 FasTrak wire harness).
2. Two wires.
3. Connected to Item 11 (784868 FasTrak wire harness).
4. Torque to 45-48 ft-lb.
5. Engine oil capacity; 2.3 US qts. (with filter), see engine manual.
6. Engine speed; High speed - 3450 ±50 RPM.
7. Engine speed; High speed - .

Honda 16 HP Engine Installation



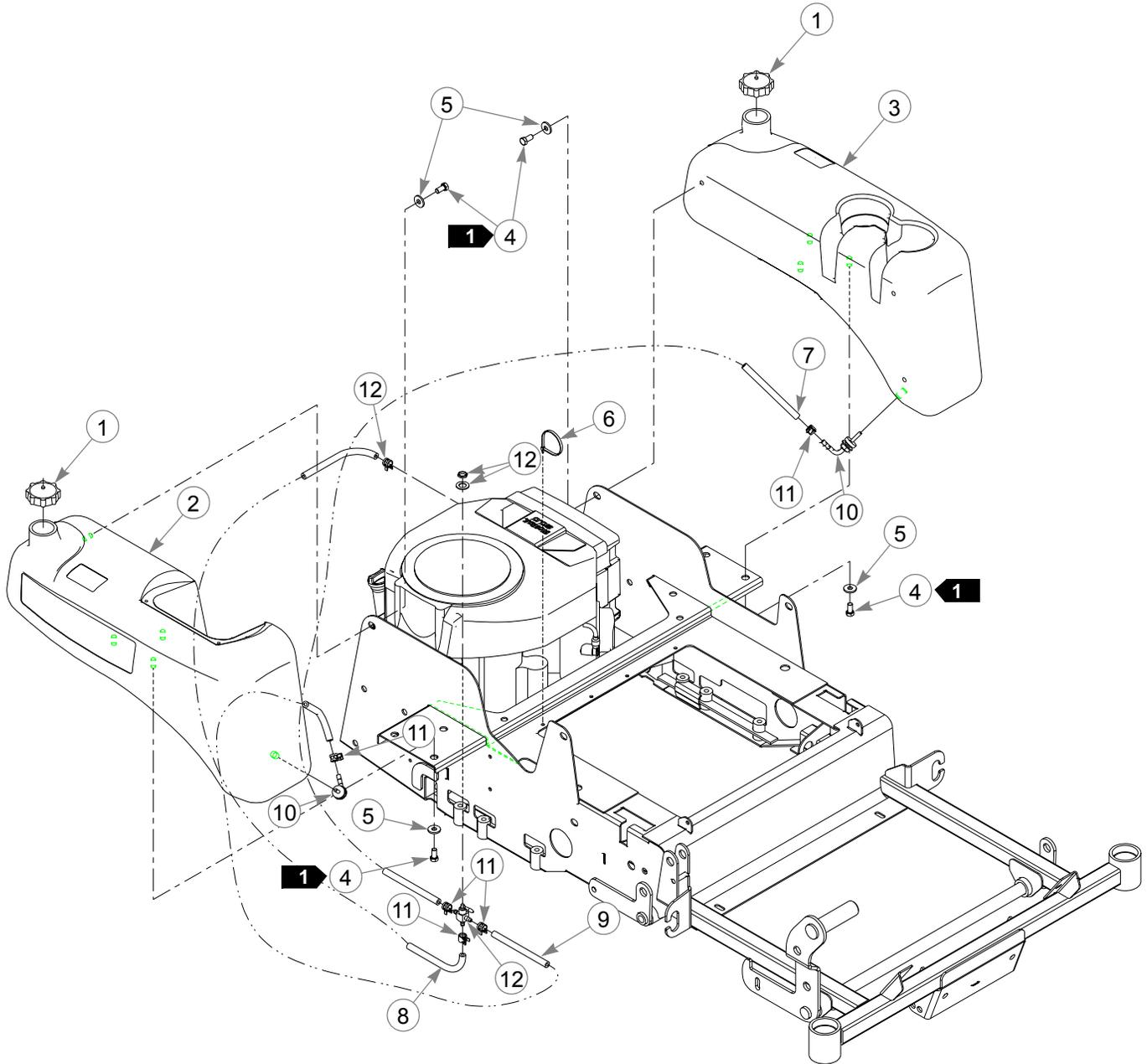
Honda 16 HP Engine Installation

INDEX NO.	SERVICE PART NO.	MFG. PART NO.	QTY.	DESCRIPTION
1	785394	785394	1	HONDA 16 HP ENGINE
2	785410	785410	1	16 HONDA MUFFLER
3	034280	034280	2	CS .312-18 X .750 HX G5 ZNYC
4	768523	768523	5	FW .343 X .687 X .051/.080 HD ZNYC
5	785378	785378	1	EXHAUST PIPE CLAMP
6	785543	N/A	2	HONDA MUFFLER GASKET
7	005231	005231	4	NT M6-1.0 X10 HX FLG ZN
8	785402	785402	1	FASTRAK 16 HP MUFFLER MANIFOLD
9	034272	034272	7	NT .312-18 HX G5 ZNYC
10	712927	712927	4	FW .344 X 1.00 X .12 HRD ZNYC
11	786178	786178	1	FASTRAK 16 HONDA WIRE HARNESS
12	739144	792796	3	CS M 6-1.0 X 12 10.9 HXFL ZN
13	786640	N/A	1	NEGATIVE BATTERY CABLE
14	725267	725267	2	FW .318 X .472 X .047 ZN
15	786632	N/A	1	POSITIVE BATTERY CABLE
16	782664	782664	1	NT M8-1.25 HX STAINLESS STEEL
17	768515	768515	2	FW .250 X .560 X .04 SAE ZNYC
18	017038	017038	2	LW .250 MED SPRING ZNYC
19	056077	056077	2	CS .250-20 X 1.00 HX G5 ZNYC
20	024927	024927	2	NT .250-20 HX GR.5 ZNYC
21	787267	N/A	1	HONDA 16 AMP RECTIFIER
22	029876	029876	4	LW .312 INT-EXT TOOTH ZNYC
23	050161	050161	4	CS .312-18X1.750 HX G5 ZNYC
24	712372	712372	1	KEY 1/4 SQ X 0.66 LONG
25	000331	000331	1	SMALL/SHORT WIRE TIE
26	786616	786616	1	PUMPDRIVE PULLEY
27	791251	N/A	1	CLUTCH WIRE HARNESS PIGTAIL
28	784835	784835	1	FASTRAK CLUTCH
29	784918	784918	1	RUBBER BUMPER
30	763417	763417	1	FW .454 X 1.50 X .250
31	785048	785048	1	CS .437-20 X 3.00 HX G5 ZNYC
32	378273	378273	1	16HP EXHAUST HEAT SHIELD
33	043570	043570	1	SINGLE HOSE CLIP
34	798769	798769	1	ADAPTER, CVR GXV530
35	798777	798777	1	COVER GXV530
36	798785	798785	1	BRACKET, CVR GXV530
37	798793	798793	1	NUT, CVR GXV530
38	798801	798801	3	BOLT, FLANGE 6 X 8

NOTES:

1. Part of item 11 (786178 FasTrak 16 Honda Wire Harness).
2. Torque to 61.0-65.1 Nm.
3. Engine oil capacity; 1.297 L. (with filter), 1.155 L. (w/o filter), see engine manual.
4. Engine speed; High speed - 3000±50 RPM.

Fuel System Installation



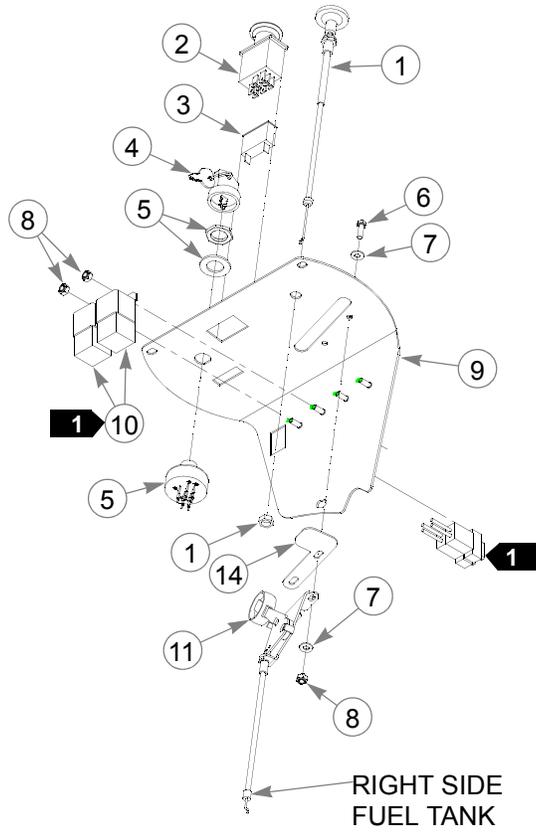
Fuel System Installation

INDEX NO.	SERVICE PART NO.	MFG. PART NO.	QTY.	DESCRIPTION
1	784181	784181	2	FUEL TANK CAP
2	796318	796318	1	R.S. FUEL TANK
3	796326	796326	1	L.S. FUEL TANK
4	055822	055822	12	CS .375-16 X .750 HX G5 ZNYC
5	712919	712919	12	FW .406 X 1.00 X .12 HRD ZNYC
6	000331	000331	5	SMALL/SHORT WIRE TIE
7	015818	015818	1	FUEL LINE, 33"
8	015818	015818	1	FUEL LINE, 35" 3
9	015818	015818	1	FUEL LINE, 14"
2	791277	N/A	2	FUEL TANK 90° FITTING
11	000323	000323	6	CLIP
12	745059	745059	1	FUEL VALVE 3-WAY

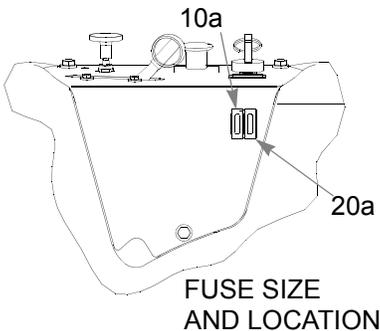
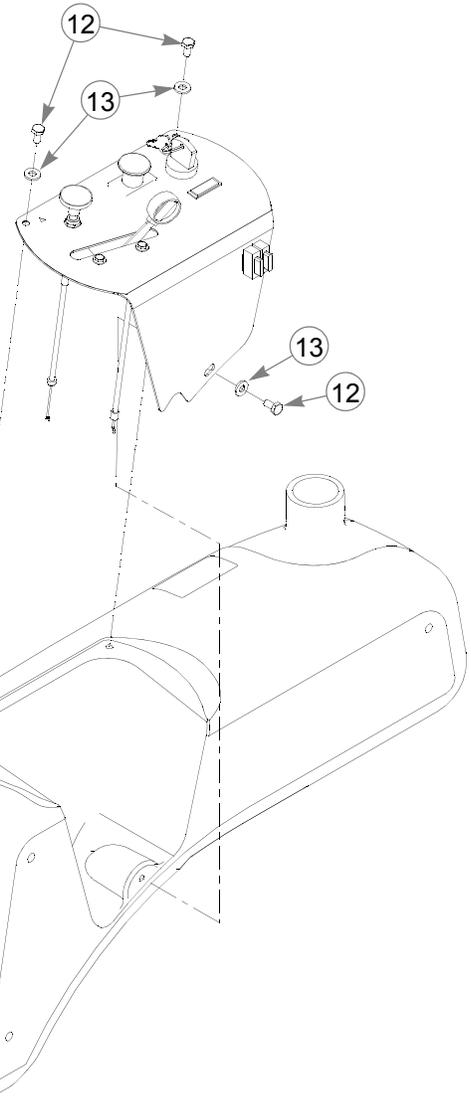
NOTES:

1. Torque to 27.1 Nm.
2. Supplied with new fuel tank.
3. Length for mowers with Honda engines only.

Instrument Panel Assembly/Installation



RIGHT SIDE
FUEL TANK



FUSE SIZE
AND LOCATION

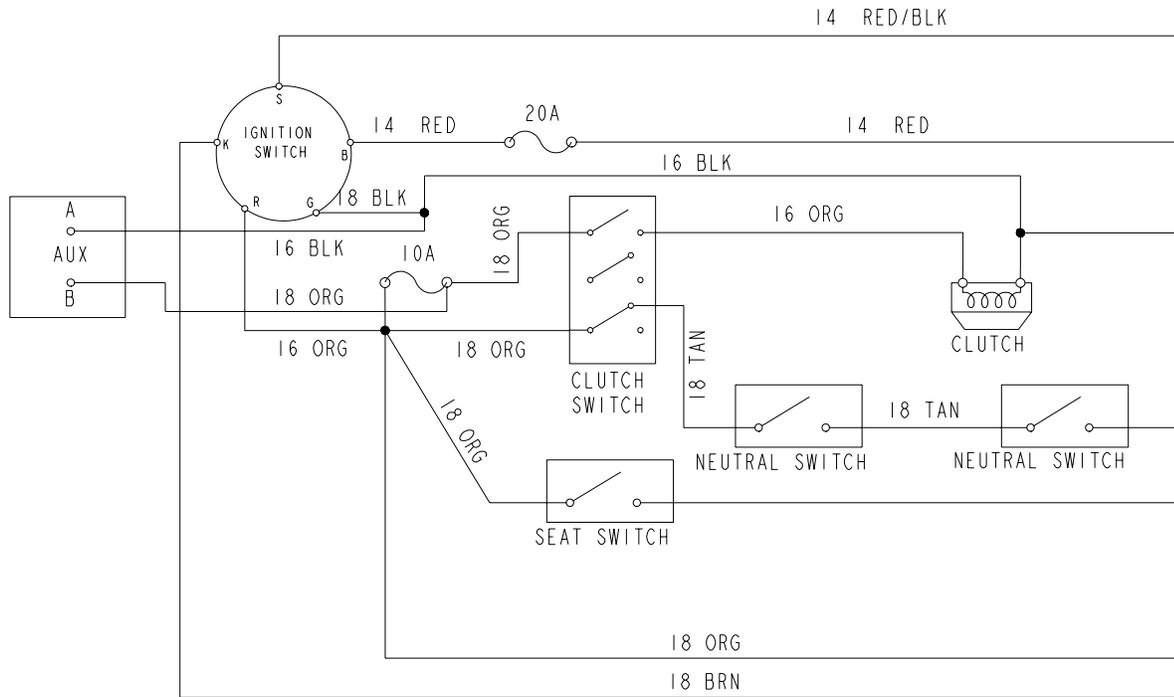
Instrument Panel Assembly/Installation

INDEX NO.	SERVICE PART NO.	MFG. PART NO.	QTY.	DESCRIPTION
1	785196	785196	1	CHOKE CABLE (HONDA 1 ENGINES)
	785030	785030	1	CHOKE CABLE (HONDA 16) ENGINE
2	776476	776476	1	PTO SWITCH
3	712257	712257	1	RED INDICATOR LIGHT
4	785808	785808	1	KEY ASSEMBLY
5	045898	045898	1	KEY SWITCH
6	714998	714998	2	MS #10-24 X .625 HX ZN
7	704932	704932	4	FW .219 X .500 X .048 ZNYC
8	059832	059832	4	NT #10-24 HX NL ZN
9	365411	365411	1	INSTRUMENT PANEL
10	026237	N/A	2	RELAY
11	768879	768879	1	ENGINE CONTROLS CABLE (HONDA 18,)
	787788	787788	1	THROTTLE CABLE ASSEMBLY (HONDA 16 ONLY)
12	055947	055947	3	CS .250-20X .500 HX G5 ZNYC
13	768515	768515	3	FW .281 X .625 X .051/.080 HD ZNYC
14	102707	102707	1	CE THROTTLE STOP

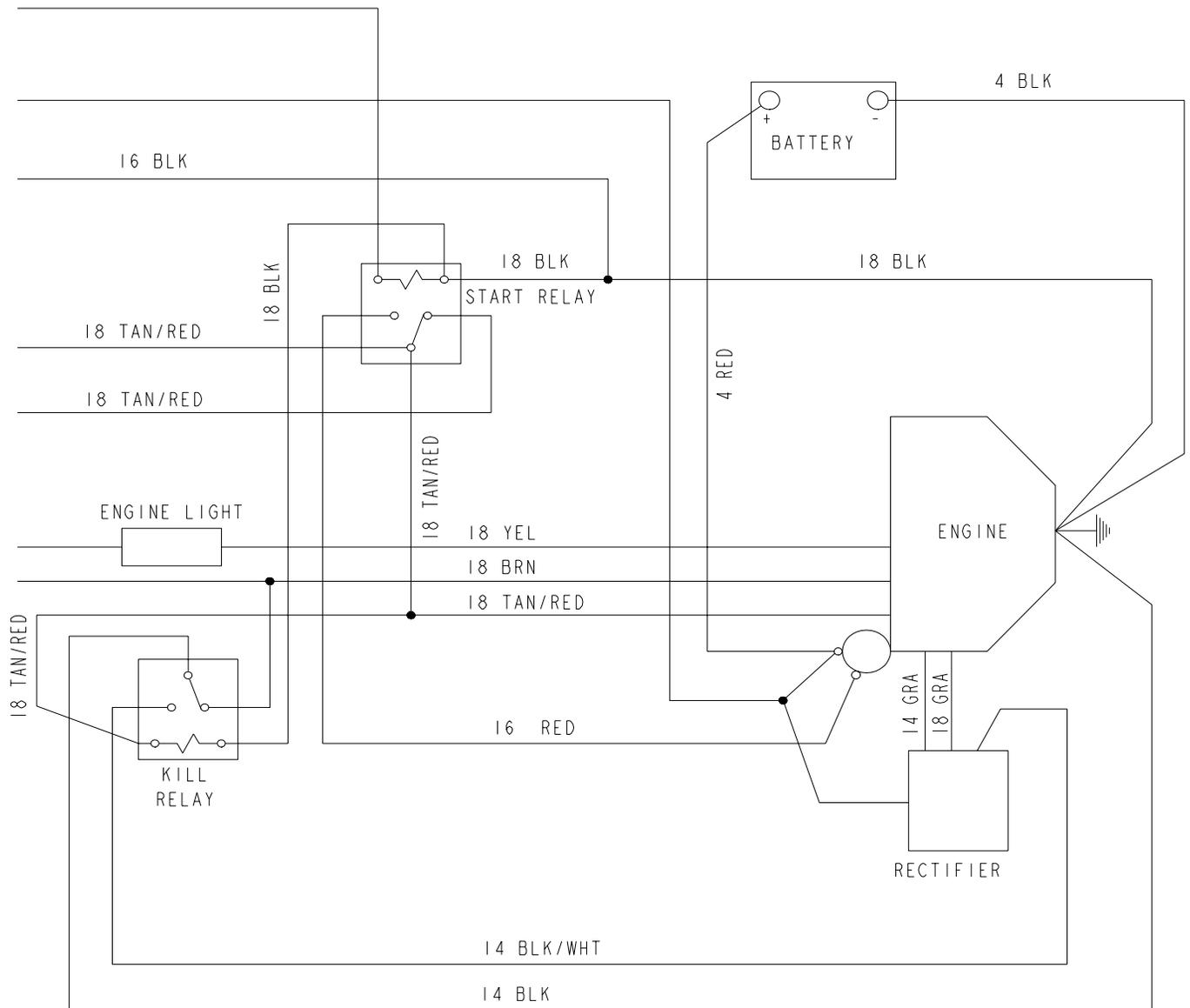
NOTES:

1. Part of 784868, or 786178 (Tractor Wire Harness).

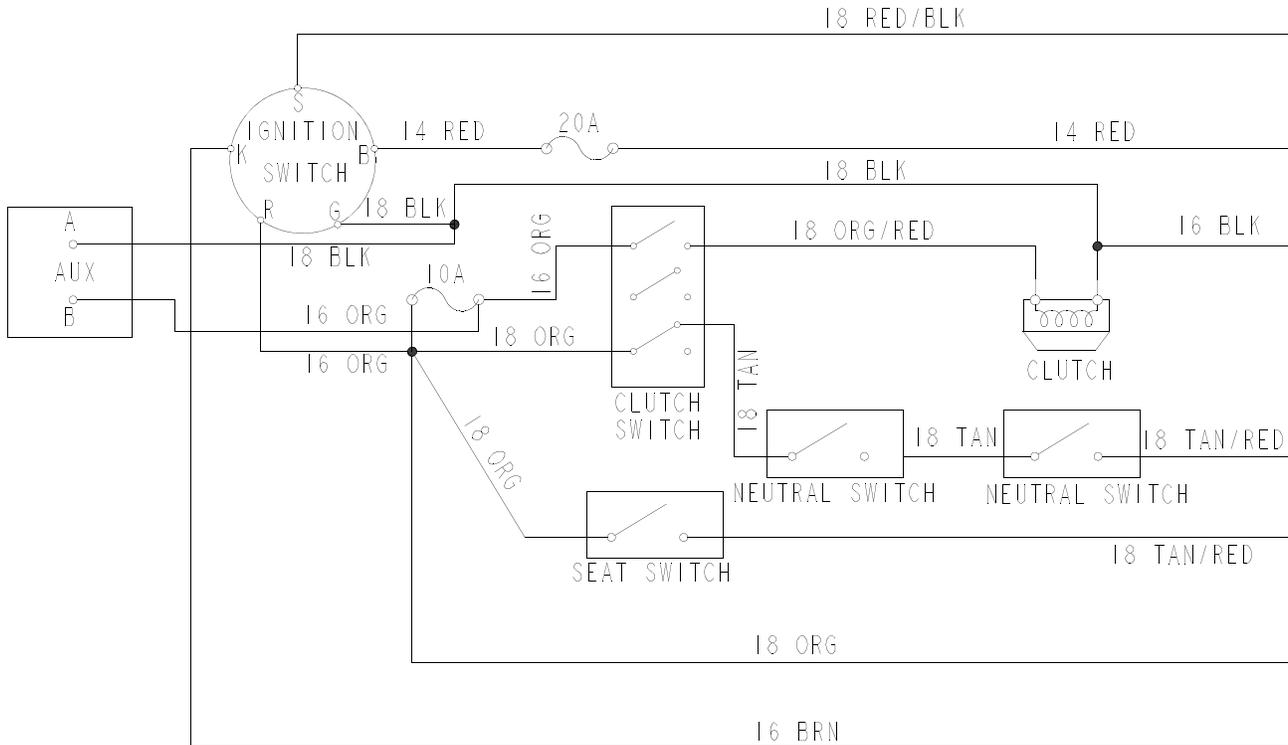
Honda 18 HP Electrical Schematic (784868)



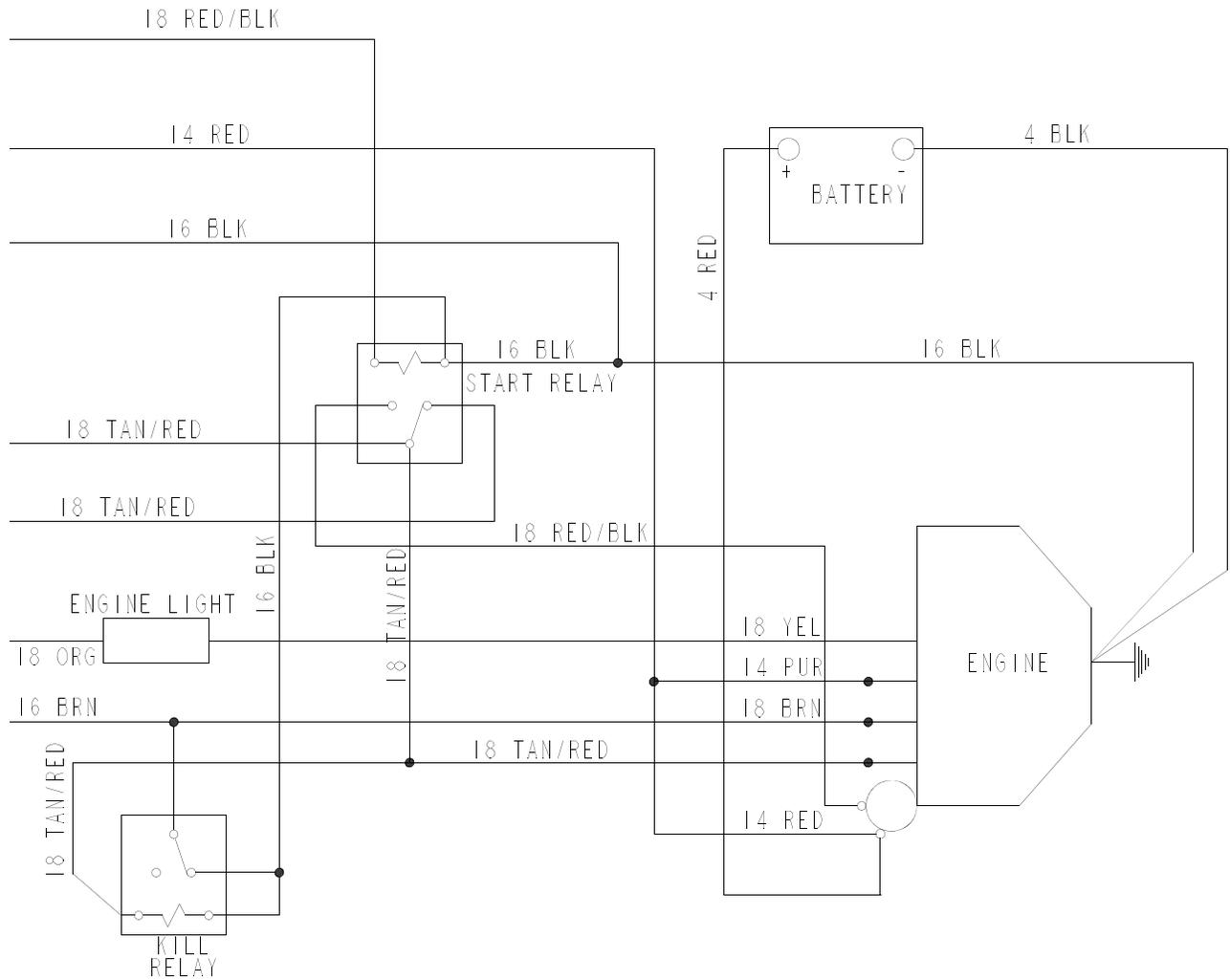
Honda 18 HP Electrical Schematic (784868)



Honda 16 HP Electrical Schematic (786178)



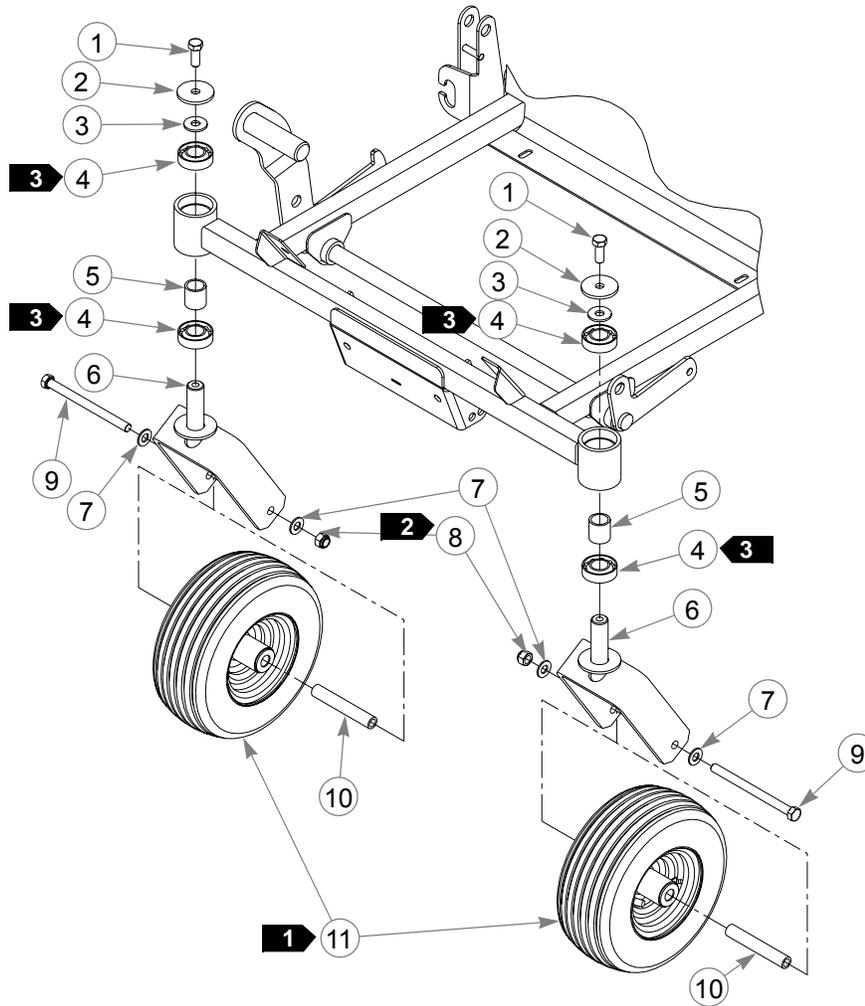
Honda 16 HP Electrical Schematic (786178)



Chapter 5 Contents

Front Wheel Assembly.	5-2
Front Wheel Breakdown—768044.	5-3
Drive Wheel Assembly—783134.	5-4
Anti-Rollover Wheel Assembly	5-5

Front Wheel Assembly

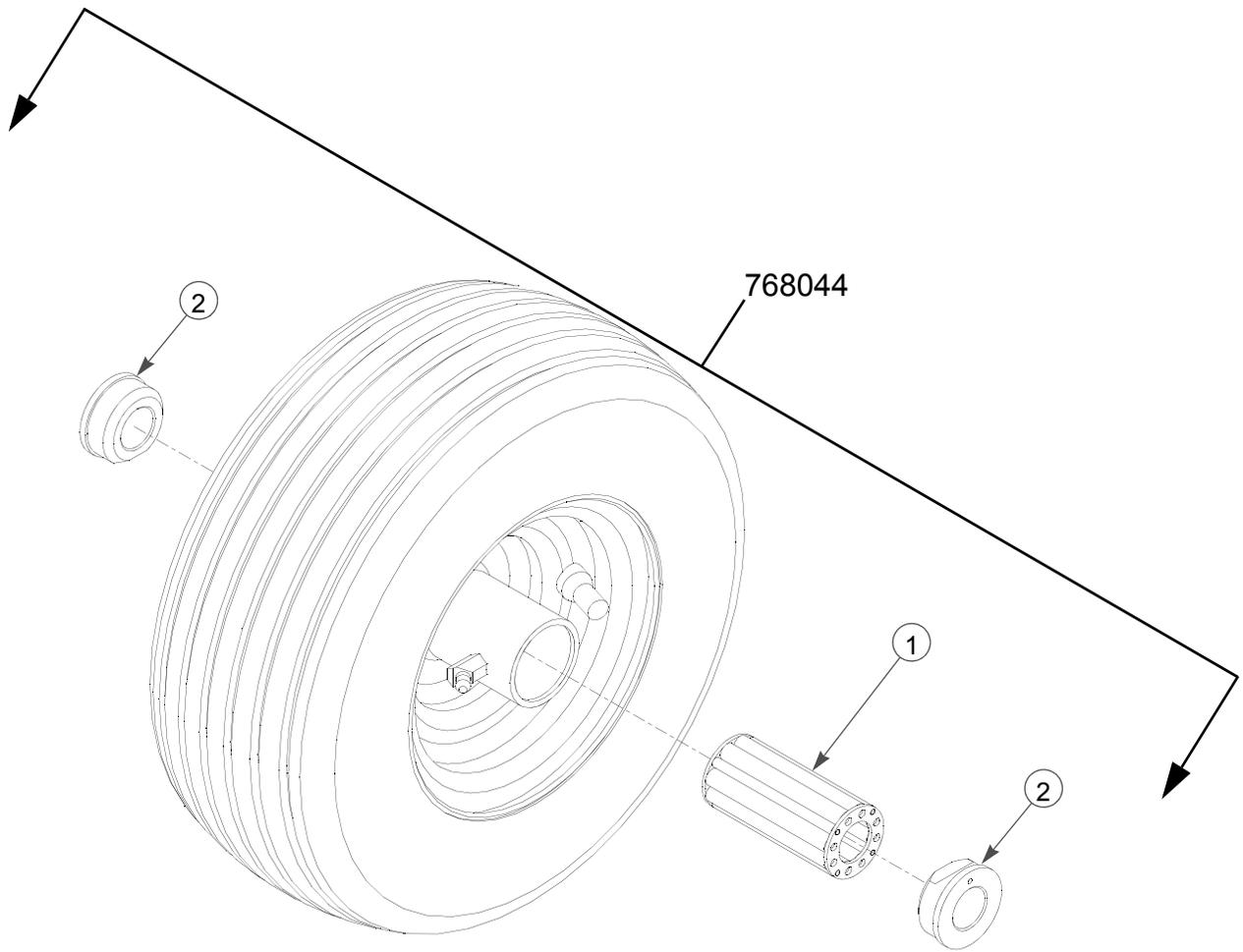


INDEX NO.	SERVICE PART NO.	MFG. PART NO.	QTY.	DESCRIPTION
1	705954	705954	2	CS .500-13 X 1.25 HX G5 ZNYC
2	344267	344267	2	FW .510 X 2.15 X .187 SPL ZNYC
3	712976	712976	2	FW .531 X 1.375 X .125 ZNYC
4	784223	784223	4	BEARING
5	784603	784603	2	SPACER
6	339689	339689	2	CASTER FORK
7	767962	767962	4	FW .531 X 1.063 X .090 SAE HD ZN
8	781567	781567	2	NT .50-13 HX LK NY ZNYC
9	042630	042630	2	CS .500-13 X 6.50 HX G5 ZNYC
10	306969	306969	2	GAGE WHEEL SPACER
11	768044	768044	2	TIRE/WHL 11 X 4-5 RIBBED

NOTES:

1. Apply grease to zerks.
2. Torque to 101.7 Nm.
3. Assemble with extended inner race down.

Front Wheel Breakdown—768044

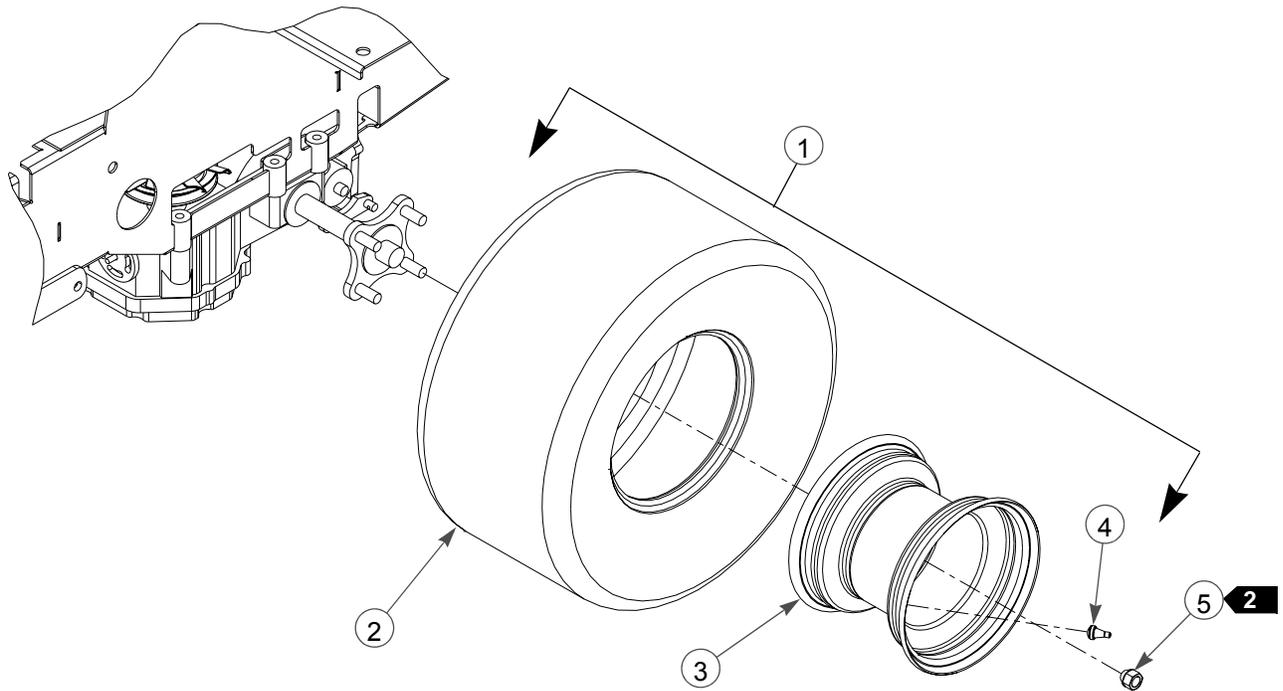


INDEX NO.	SERVICE PART NO.	MFG. PART NO.	QTY	DESCRIPTION
1	772814	N/A	1	3/4" ROLLER BEARING
2	772806	N/A	2	BEARING CAP

NOTES:

1. Inflate tire to 55.16-68.95 kPa.

Drive Wheel Assembly—783134



INDEX NO.	SERVICE PART NO.	MFG. PART NO.	QTY.	DESCRIPTION
1	783134	783134	2	WHEEL/TIRE ASSY 18 X 8.50 (QTY PER TRACTOR)
2	783142	N/A	1	TIRE 18 X 8.50
3	783159	N/A	1	WHEEL
4	019521	N/A	1	TIRE VALVE
	061077	061077	4	WHEEL NUT (QTY PER WHEEL)

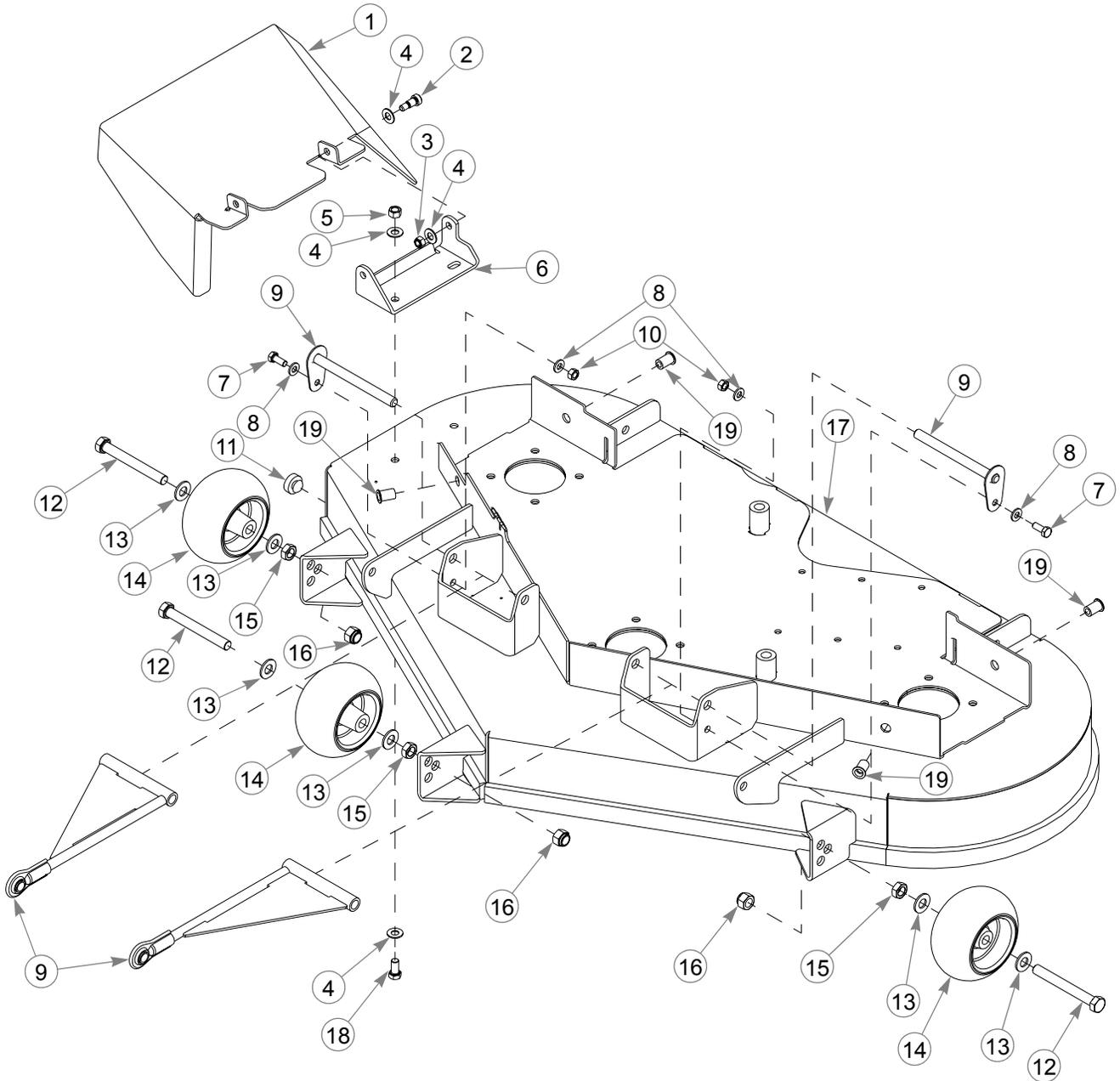
NOTES:

1. Inflate tire to 55.16-68.95 kPa.
2. Torque to 88.13 Nm

Chapter 6 Contents

44" Deck Assembly	6-2
44" Deck Pulley Assembly	6-4
Blade Spindle Assembly Breakdown	6-6

44" Deck Assembly



44" Deck Assembly

INDEX NO.	SERVICE PART NO.	MFG. PART NO.	QTY.	DESCRIPTION	
	1	357111	357111	1	FASTRAK DISCHARGE CHUTE
	2	063297	063297	2	SB .375 X .500 SH .312-18 TD ZN
	3	058776	058776	2	NT .312-18 HX NL ZNYC
	4	767954	767954	8	FW .406 X .812 X .060 SAE HD ZN
	5	054502	054502	2	NT .375-16 HX GRD 5 ZNYC
	6	357103	357103	1	DISCHARGE CHUTE MOUNT BRACKET
	7	034280	034280	2	CS .312-18 X .750 HX G5 ZNYC
	8	768523	768523	4	FW .343 X .687 X .051/.080HD ZNYC
5	9	787994	787994	2	DECK PIN & ROD ASSEMBLY
	10	034272	034272	2	NT .312-18 HX G5 ZNYC
	11	781880	781880	1	.500X 1.00X .312 X.188 BUMPER
	12	781708	N/A	3	CS .500-13 X 4.250 HX G5 ZNYC
	13	767962	N/A	9	FW .531 X 1.063 X.090 SAE HD ZN
	14	031997	N/A	3	ANTI-SCALP WHEEL
	15	053199	N/A	3	NT .50-13 HX JAM ZNYC
	16	781567	781567	3	NT .50-13 HX LK NY
4	17	546051	358242	1	44" FASTRAK DECK
1	2	788166	788166	3	ANTI SCALP WHEEL ASSEMBLY
	18	055822	055822	2	CS .375-16 X .750 HX G5 ZNYC
3	19	N/A	808485	4	5/16-18 THREAD RIVET NUT

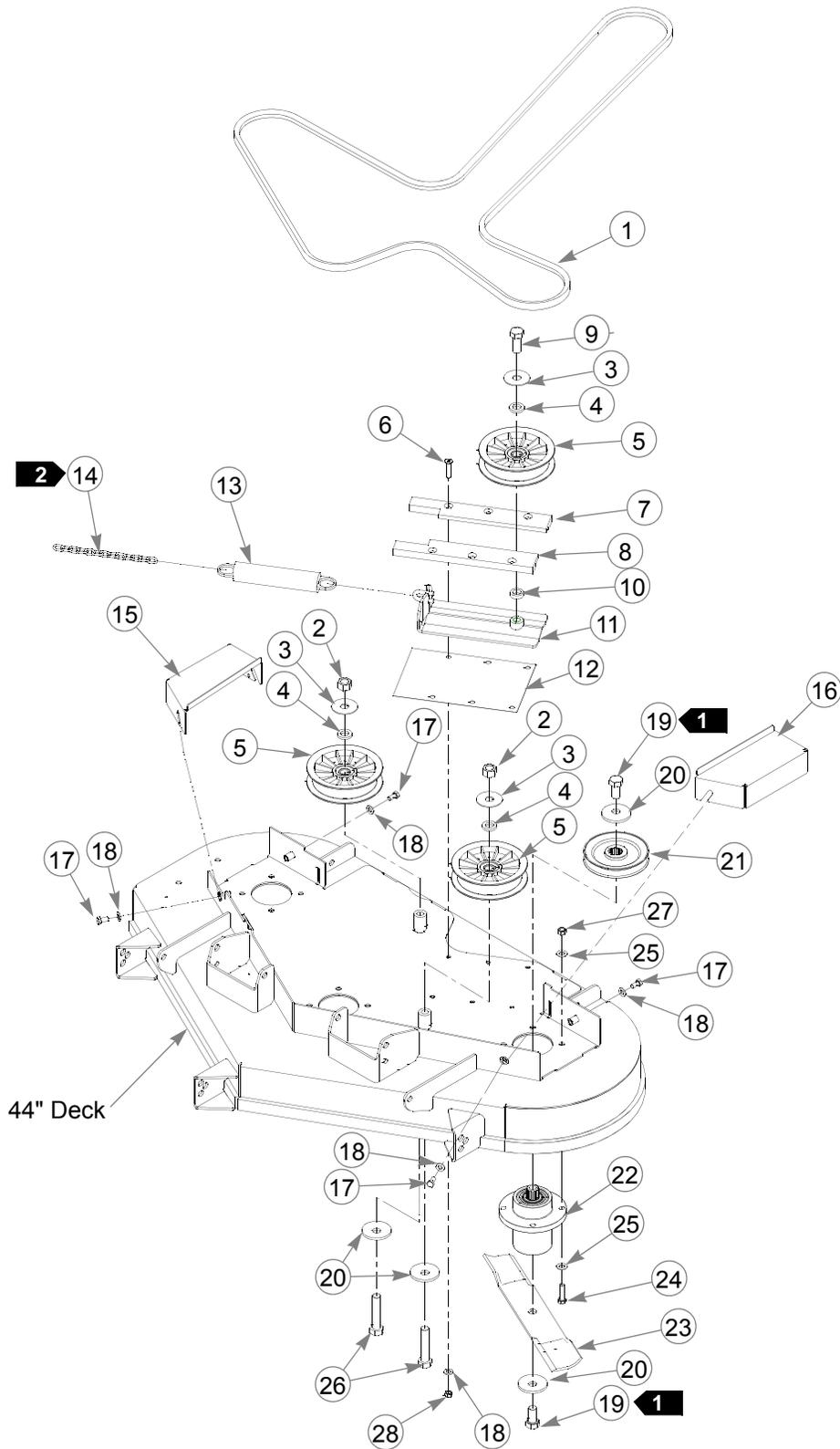
NOTES:

1. Factory assembled in top hole for shipping purposes.
2. Includes items 12 through 15.
3. Quantity of 3 on mowers with serial number prior to 05050800.
4. When ordering replacement decks, also order 6 each of Items 6, and 7, and 1 each of Item 8, 9 and 12, from Deck Pulley Assembly.
Replacement decks include decals, see "Deck Decals" on page 8-4.
5. Includes one each of:

784736 DECK PULL ROD ASSY

362988 DECK PIN

44" Deck Pulley Assembly



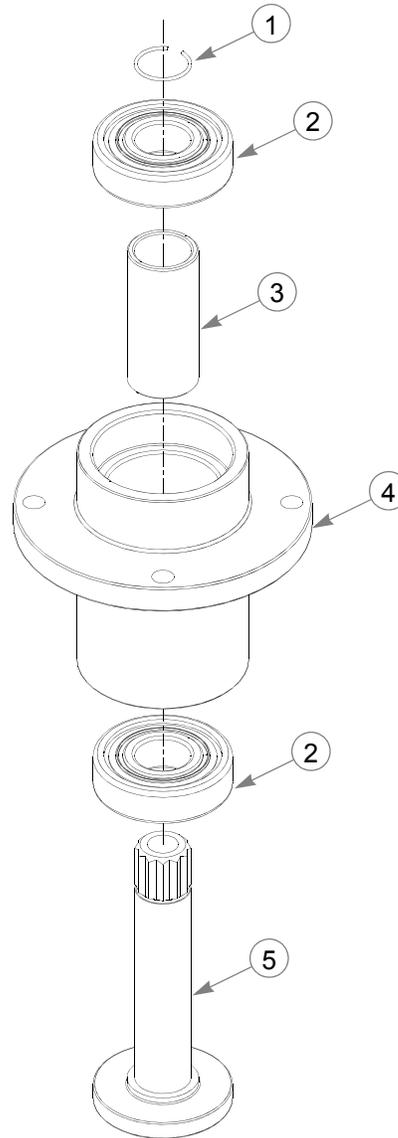
44"Deck Pulley Assembly

INDEX NO.	SERVICE PART NO.	MFG. PART NO.	QTY.	DESCRIPTION
1	784322	784322	1	B-SECTION BELT
2	016972	016972	2	NT .625-11 HX G5 ZNYC
3	046821	046821	3	FW .656 X 2.00 X .078 ZNYC
4	797449	797449	3	FW .650X1.00X.180 ZNYCG5
5	784504	784504	3	5.00" OD, 5/8" ID IDLER PULLEY
10	797910	797910	6	CS .312-18 X1.25 FLT SH ZNYC
10	600189	600189	2	IDLER SLIDE UHMW RS
10	600171	600171	2	IDLER SLIDE UHMW LS
9	794446	794446	1	CS .625-11 X 1.50 HX G5 ZNYC
10	600296	600296	1	DECK IDLER SPACER
10	350884	350884	1	IDLER DECK
9	786335	786335	1	UHMW (.03 THICK)
13	781302	781302	1	IDLER SPRING
7	364315	059931	1	SPRING CHAIN
15	360792	360792	1	R.S. PULLEY COVER
16	360818	360818	1	L.S. PULLEY COVER
17	064006	064006	4	CS .312-18 X .625 HX G5 ZNYC
18	768523	768523	10	FW .343 X.687 X .051/.080HD ZNYC
19	781872	781872	6	CS .625-11 X 1.25 HX G5 ZNYC
20	782474	782474	8	CW .631 2.250 X .187 PNT
21	792689	792689	3	DECK DRIVE 5.00 PULLEY
22	783506	783506	3	BLADE SPINDLE ASSEMBLY
23	784256	784256	3	15.66"-L-F-CW BLADE
24	005116	005116	12	CS .375-16 X 1.375 HX G5 ZNYC
25	767954	767954	24	FW .406 X .812 X .060 SAE HD ZN
26	783738	783738	2	CS .625-11X3.00 FULL HX G5 ZN
27	054502	054502	12	NT .375-16 HX GRD 5 ZNYC
28	058776	058776	6	NT .312-18 HX NL ZNYC
4	079186	079186	6	CS .312-18 X 1.25 HX G5 ZNYC
4	712927	712927	6	FW .344 X 1.00 X.12 HRD ZNYC
4	358317	358317	1	DECK IDLER
4	364315	364315	1	SPRING CHAIN
4	028118	028118	3	FW .62 X 1.00 X.134 ZNYC
7	102970	102970	1	MINI Z DECK IDLER
5	787069	787069	2	UHMW DECK IDLER RISER
8	785832	785832	2	UHMW DECK IDLER CLAMP
3	783878	N/A	2	UHMW IDLER CLAMP
6	017129	017129	6	FW .440 X 1.000 X .083 ZNYC
6	784199	784199	6	CS .312-18 X 1.25 FLT SH ZNYC
10	720193	720193	1	FW .656 X 1.125 X .06 ZNYC

NOTES:

1. Torque to 160 Nm.
2. See "Deck Belt Routing and Tensioning" on page 7-3 for belt tensioning.
3. Used on mowers with serial number prior to 02017202 (FIG 6-1).

Blade Spindle Assembly Breakdown



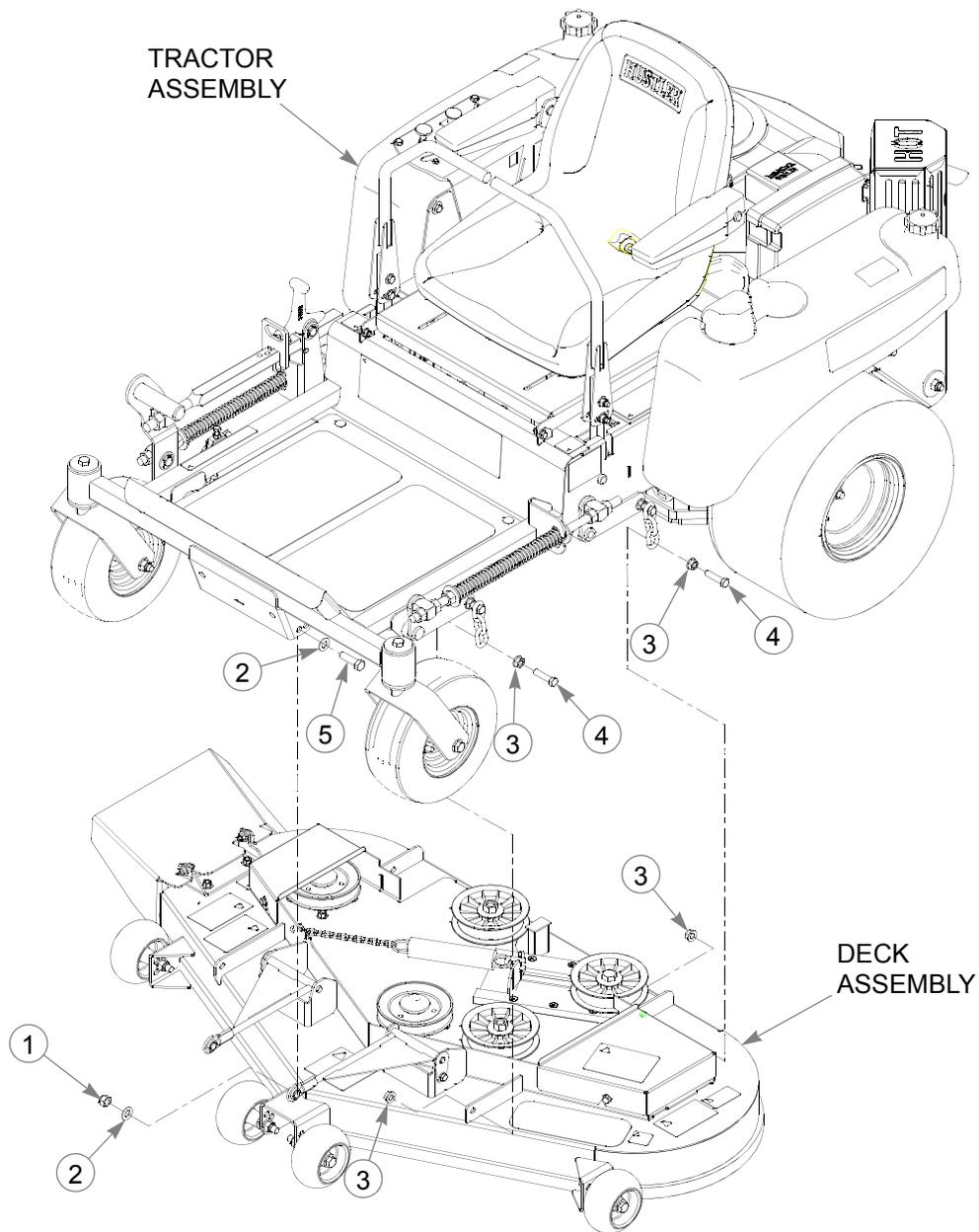
INDEX NO.	SERVICE PART NO.	MFG. PART NO.	QTY.	DESCRIPTION
1	783548	783548	1	BLADE SPINDLE RETAINING RING
2	783555	783555	2	BLADE SPINDLE BEARING
3	783530	783530	1	BLADE SPINDLE SPACER
4	783514	783514	1	BLADE SPINDLE HOUSING
5	783522	783522	1	BLADE SPINDLE SHAFT

NOTES:

Chapter 7 Contents

Deck Installation	7-2
Deck Belt Routing and Tensioning.....	7-3
Seat Installation	7-4

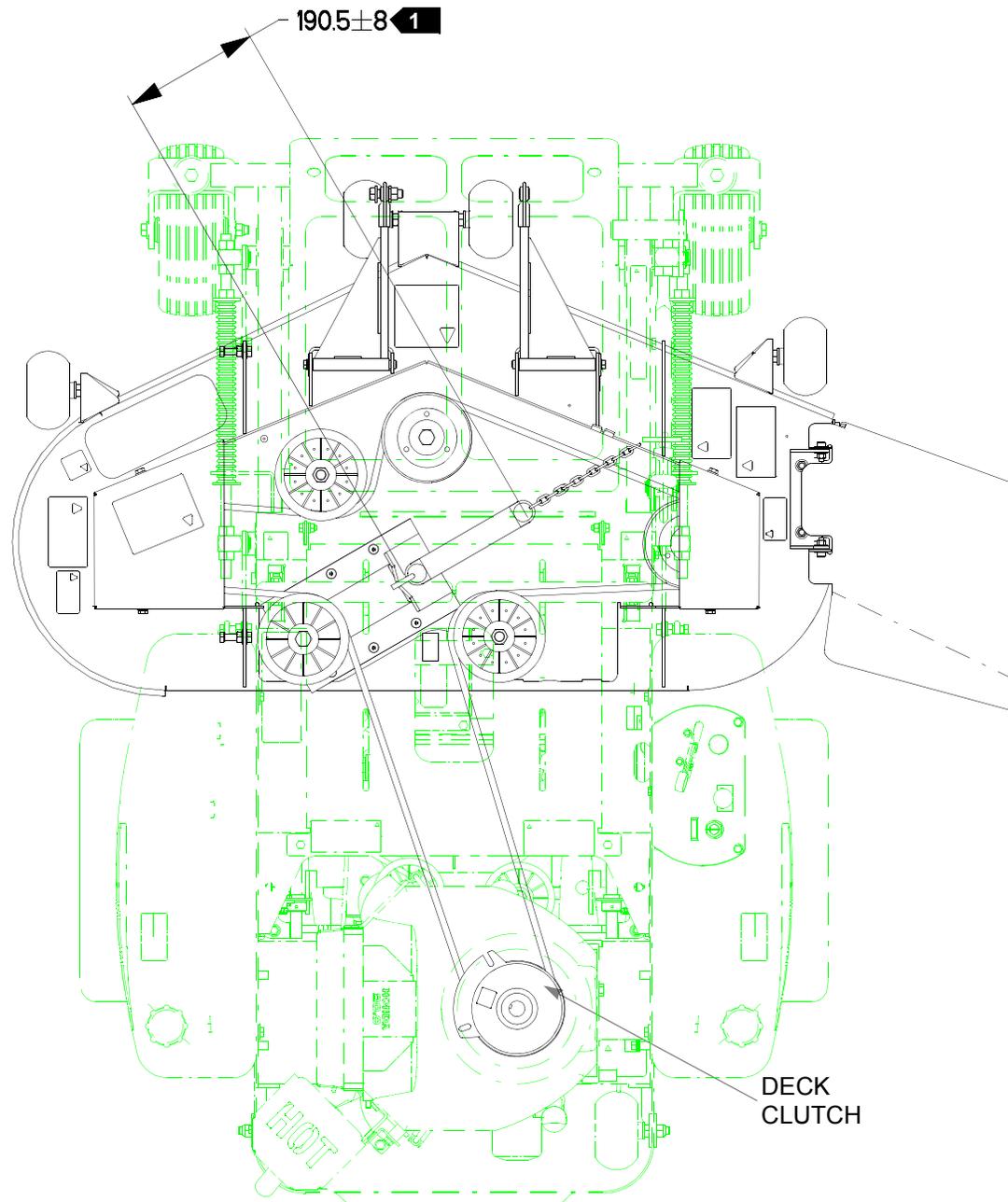
Deck Installation



INDEX NO.	SERVICE PART NO.	MFG. PART NO.	QTY.	DESCRIPTION
1	781567	781567	2	NT .500-13 H8ZY NL
2	767962	767962	4	FW .531 X 1.063 X .090 SAE HD ZN
3	704643	704643	8	NT .437-14 HX FLG ZN
4	055749	055749	4	CS .437-14 X 1.750 HX G5 ZNYC
5	017616	017616	2	CS .500-13 X 1.750 HX G5 ZNYC

NOTES:

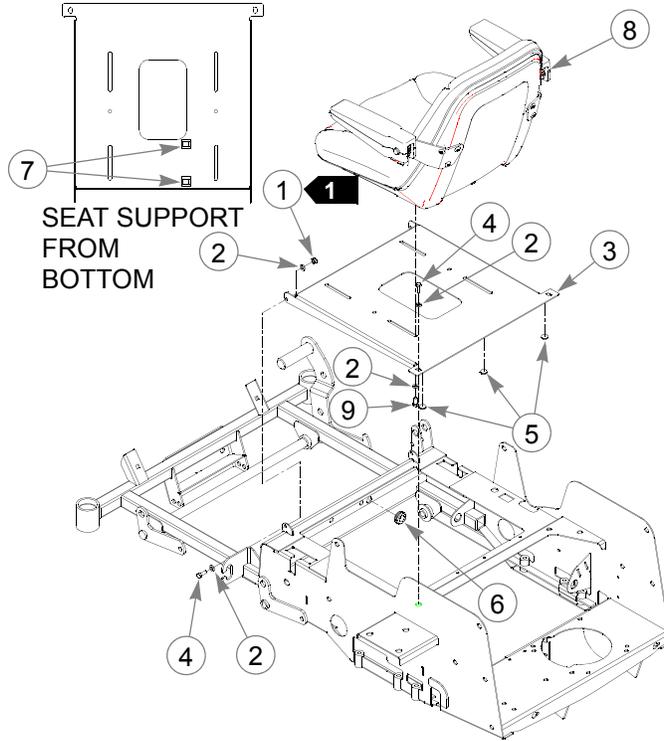
Deck Belt Routing and Tensioning



NOTES:

1. Spring length after tensioning belt measured from outside of hook to outside of hook.
2. Route belt as shown.

Seat Installation



INDEX NO.	SERVICE PART NO.	MFG. PART NO.	QTY.	DESCRIPTION
1	058776	058776	2	NT .312-18 HX NL ZNYC
2	768523	768523	10	FW .343 X .687 X .051/.080HD ZNYC
3	363507	363507	1	SEAT SUPPORT
4	064014	064014	4	CS .312-18 X .875 HX G5 ZNYC
5	781617	781617	3	RUBBER BUMPER
6	080358	080358	1	GM .50 X 1.00 X .75 X .12
7	047654	047654	2	CLIP
8	792226	792226	1	SEAT
9	034280	034280	4	CS .312-18X .750 HX G5 ZNYC

NOTES:

1. Do not torque, Item 3 (363507 Seat Support) must pivot.
2. Service parts (Michigan Seat):

793315	SEAT SWITCH KIT
797464	ARMREST ASSEMBLY L.H.
797472	ARMREST ASSEMBLY R.H.
797480	MOLDED ARMREST KIT

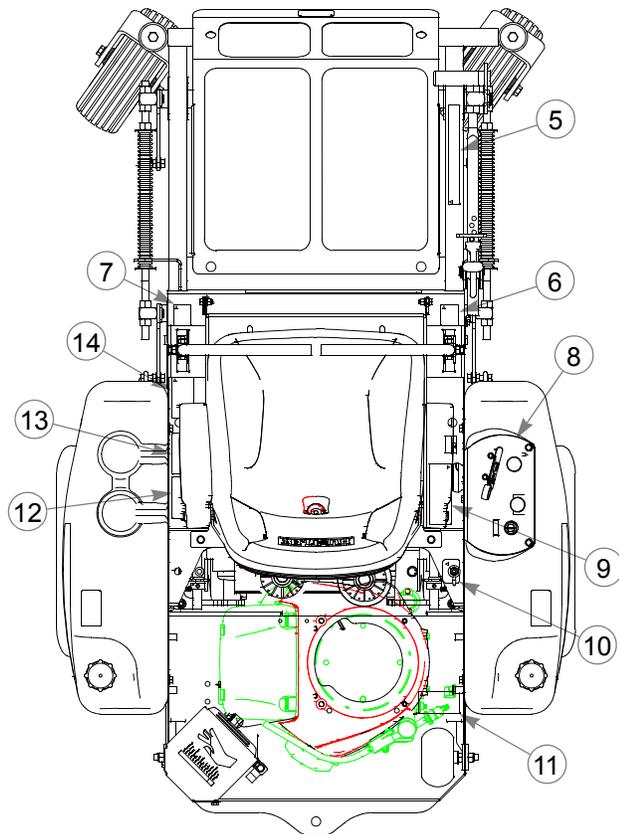
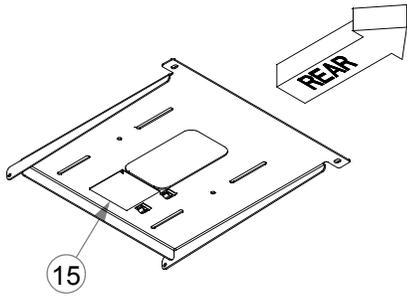
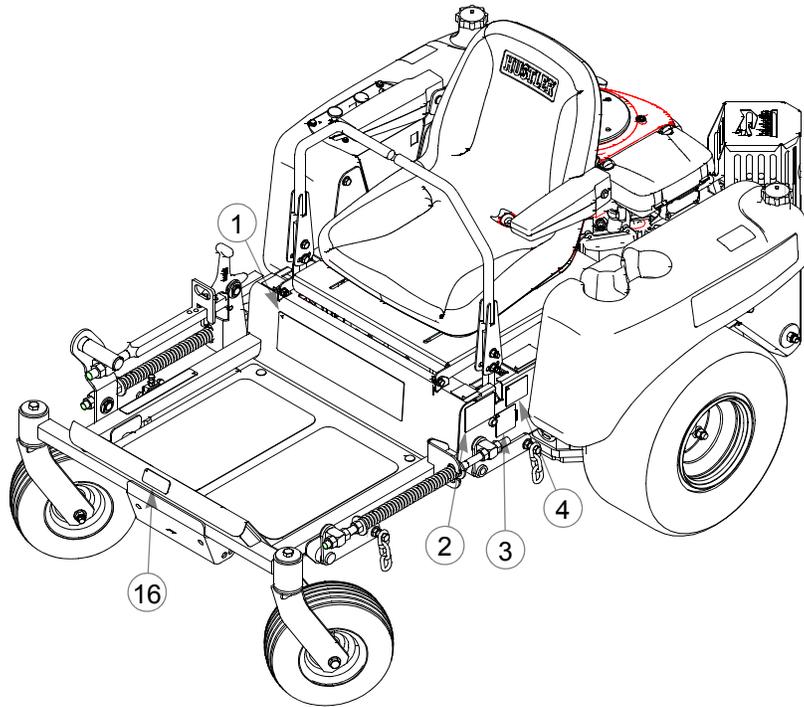
3. Service parts (Milsco Seat):

782177	OPERATOR PRESENCE SWITCH
--------	--------------------------

Chapter 8 Contents

Tractor Decals	8-2
Deck Decals	8-4

Tractor Decals

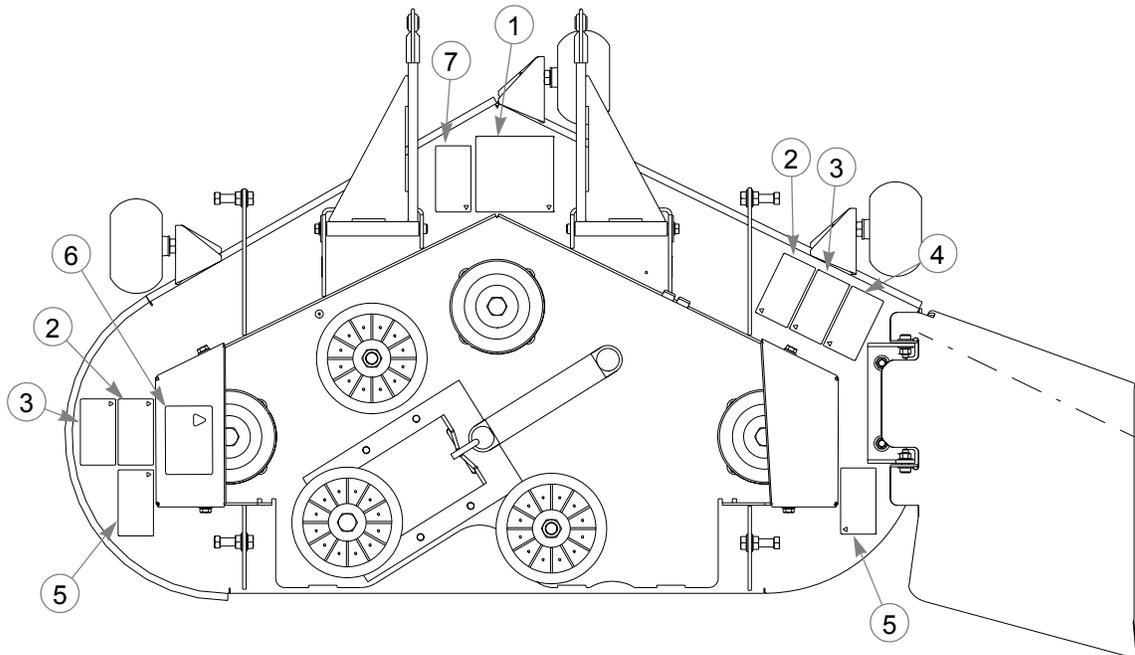


Tractor Decals

INDEX NO.	SERVICE PART NO.	MFG. PART NO.	QTY.	DESCRIPTION
1	784710	784710	1	FASTRAK DECAL
2	N/A	083279	1	TURF PROD SERIAL NO PLATE
3	794834CE	794834CE	1	CE DBA DECAL
4	776310	776310	1	CE MARK DECAL
5	788935CE	788935CE	1	DECK HEIGHT DECAL
6	785220CE	785220CE	1	CE FASTRAK RIGHT SIDE STEERING DECAL
7	785139CE	785139CE	1	CE FASTRAK LEFT SIDE STEERING DECAL
8	784702CE	784702CE	1	CE INSTRUMENT PANEL DECAL
9	789727CE	789727CE	1	EYE/EAR/FOOT PROTECTION DECAL
10	791830	791830	1	FUEL INDICATOR DECAL
11	771436CE	771436CE	1	CE STABILIZER ROLLERS DECAL
12	789719CE	789719CE	1	CE READ SERVICE MANUAL DECAL
13	789701CE	789701CE	1	CE READ OWNER'S MANUAL DECAL
14	777029CE	777029CE	1	CE MAXIMUM ANGLE DECAL
15	727016CE	727016CE	1	CE BATTERY DECAL
16	793588	793588	1	HUSTLER NAME PLATE

NOTES:

Deck Decals



INDEX NO.	SERVICE PART NO.	MFG. PART NO.	QTY.	DESCRIPTION
1	778688CE	778688CE	1	CE BELT ROUTING DECAL
2	789685CE	789685CE	2	THROWN OBJECT DECAL
3	727438CE	727438CE	2	CE FINGERS AND TOES DECAL
4	727420CE	727420CE	1	CE DISCHARGE CHUTE DECAL
5	727453CE	727453CE	2	CE DECK COVER DECAL
6	784801	784801	1	44 FASTRAK DECK ID DECAL
7	789701CE	789701CE	1	CE READ OWNER'S MANUAL DECAL

NOTES:

Part Number Index

Part No.	Page No.	Part No.	Page No.	Part No.	Page No.
Index					
Part Numbers					
000323	4-7	064006	6-5	600171	6-5
000331	4-3, 4-5, 4-7	064014	7-4	600189	6-5
000398	4-3, 5-5	066878	3-10	600296	6-5
005116	6-5	078386	3-7	704643	3-5, 7-2
005231	4-5	079186	6-5	704932	4-9
011320	2-5	080358	7-4	705178	3-7
015495	3-5	083279	8-3	705954	5-2
015818	4-7	086660	3-7	712257	4-9
016972	6-5	102707	4-9	712372	4-3, 4-5
017004	4-3	102970	6-5	712919	4-7
017038	4-3, 4-5	104596	5-5	712927	3-9, 4-3, 4-5, 6-5
017129	6-5	306969	5-2	712976	5-2
017251	3-7	312280	5-5	714998	4-9
017616	7-2	339689	5-2	720177	4-3
018846	3-5	344267	5-2, 5-5	720193	6-5
019521	5-4	348284	3-5	725267	4-5
023655	3-7	348318	3-5	727016CE	8-3
024927	3-3, 4-3, 4-5	348417	3-3	727420CE	8-4
025007	3-9	348458	3-5	727438CE	8-4
025296	3-9	350884	6-5	727453CE	8-4
026237	4-9	355651	2-5	739144	4-5
028118	3-9, 6-5	357103	6-3	740696	3-3
029868	3-3	357111	6-3	745059	4-7
029876	4-3, 4-5	358317	6-5	756270	3-5, 5-5
031997	5-5, 6-3	359737	3-7	763417	4-3, 4-5
034272	3-3, 3-5, 3-7, 3-9, 4-3, 4-5, 5-5, 6-3	359745	3-7	767954	2-5, 3-7, 6-3, 6-5
034280	3-3, 4-5, 5-5, 6-3, 7-4	360131	3-5	767962	3-5, 5-2, 5-5, 6-3, 7-2
036236	3-7	360487	3-7	768044	5-2, 5-3
042630	5-2	360677	3-7	768259	3-7
043067	3-9	360792	6-5	768515	4-3, 4-5, 4-9
043570	4-5, 5-5	360818	6-5	768523	3-3, 3-7, 3-9, 4-3, 4-5, 5-5, 6-3, 6-5, 7-4
045898	4-9	361212	3-9	768879	4-9
046821	6-5	361295	3-7	770867	3-7
047654	7-4	361550	3-7	771428	3-3
050161	3-9, 4-3, 4-5	362251	3-7	771436CE	8-3
052837	4-3	362988	6-3	772806	5-3
053199	5-5, 6-3	363176	3-7	772814	5-3
054502	2-5, 6-3, 6-5	363507	7-4	776310	8-3
055749	3-5, 7-2	363788	3-9	776476	4-9
055822	4-7, 6-3	363812	3-7	777029CE	8-3
055939	3-3	363952	2-3	778688CE	8-4
055947	4-9	364174	3-3	779850	3-3
056077	4-3, 4-5	364315	6-5	781153	3-9
058776	3-3, 6-3, 6-5, 7-4	364885	2-4, 5-5	781211	3-7
059832	3-7, 4-9	365411	4-9	781229	3-5
059931	6-5	365684	1-1	781260	3-7
061077	5-4	367425	1-1	781294	3-5
061101	3-9	367656	1-1	781302	3-9, 6-5
063198	3-7	378273	4-5	781567	5-2, 5-5, 6-3, 7-2
063297	6-3	378703	5-5	781617	7-4
		546044	2-2	781708	5-5, 6-3
		546051	6-3		

Part No.	Page No.	Part No.	Page No.	Part No.	Page No.
781831	3-5	784819	3-7	787069	6-5
781872	6-5	784827	3-9	787226	1-1
781880	6-3	784835	4-3, 4-5	787234	1-1
781922	3-7	784843	4-3	787242	1-1
782177	7-4	784850	1-1	787267	4-5
782474	6-5	784868	4-3, 4-9, 4-10	787788	4-9
782664	4-3, 4-5	784918	4-3, 4-5	787879	3-7
782995	3-5	784959	4-3	787887	3-7
783134	5-4	785030	4-9	787994	6-3
783142	5-4	785048	4-3, 4-5	788059	3-9
783159	5-4	785063	3-3, 4-3	788067	3-9
783506	6-5	785071	3-3, 4-3	788166	5-5, 6-3
783514	6-7	785113	3-9	788935CE	8-3
783522	6-7	785139CE	8-3	789685CE	8-4
783530	6-7	785162	3-7	789701CE	8-3, 8-4
783548	6-7	785196	4-9	789719CE	8-3
783555	6-7	785220CE	8-3	789727CE	8-3
783696	3-7	785378	4-3, 4-5	791251	4-3, 4-5
783738	6-5	785394	4-5	791277	4-7
783878	6-5	785402	4-5	791830	8-3
784181	4-7	785410	4-5	792226	7-4
784199	6-5	785428	1-1	792689	6-5
784223	5-2	785477	4-3	792796	4-5
784231	1-1, 3-9	785485	2-5	793315	7-4
784256	6-5	785493	2-5	793331	1-1
784306	3-9	785543	4-3, 4-5	793588	8-3
784314	3-9	785600	1-1	794446	6-5
784322	1-1, 6-5	785618	1-1	794651	3-10
784355	3-7	785626	1-1	794834CE	8-3
784371	3-7	785634	1-1	796318	4-7
784405	3-7	785642	1-1	796326	4-7
784421	3-7	785717	3-9	797449	6-5
784439	3-7	785725	3-9	797464	7-4
784488	3-5	785733	3-9	797472	7-4
784504	6-5	785808	4-9	797480	7-4
784603	5-2	785832	6-5	797910	6-5
784611	4-3	786178	4-5, 4-9	798769	4-5
784629	4-3	786269	3-10	798777	4-5
784686	3-5	786301	3-9	798785	4-5
784702CE	8-3	786335	6-5	798793	4-5
784710	8-3	786616	4-3, 4-5	798801	4-5
784736	6-3	786632	4-5	808485	2-2, 2-3, 2-4, 6-3
784801	8-4	786640	4-5		